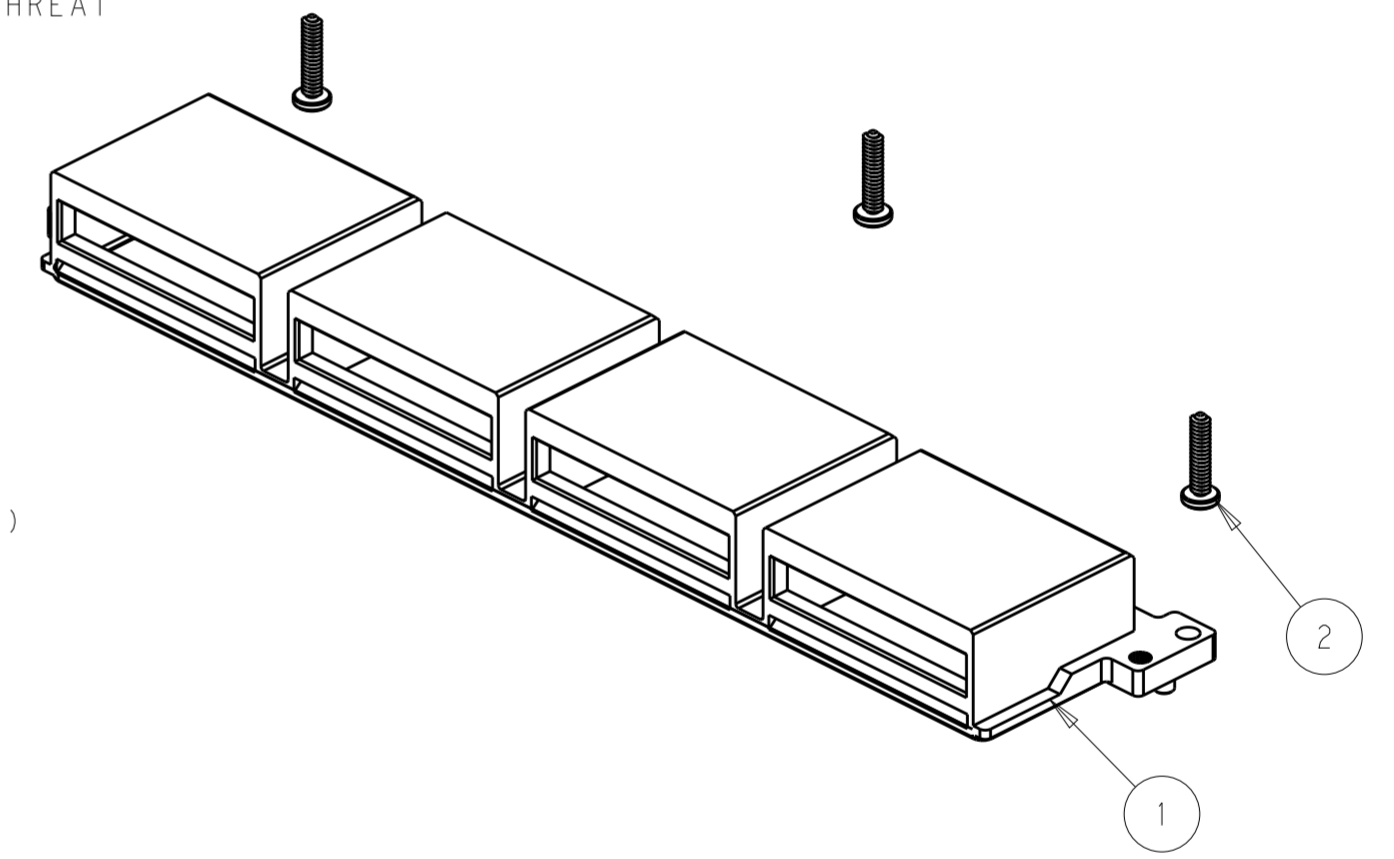
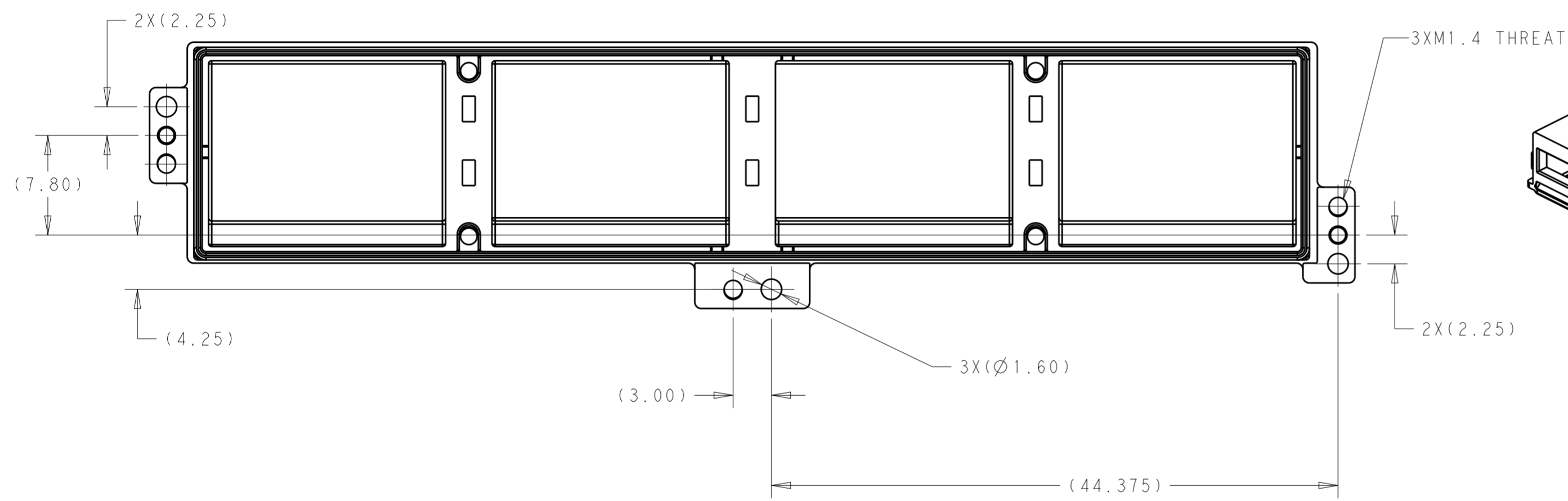
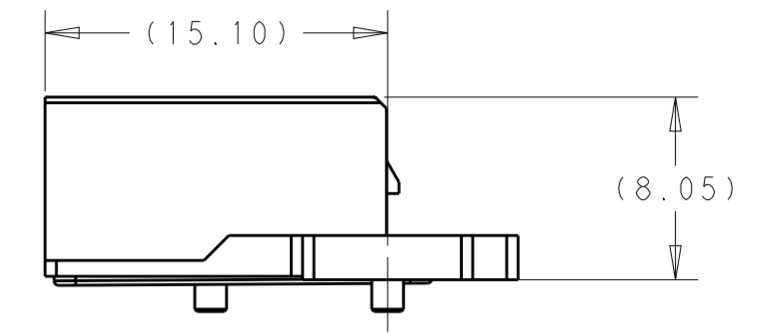
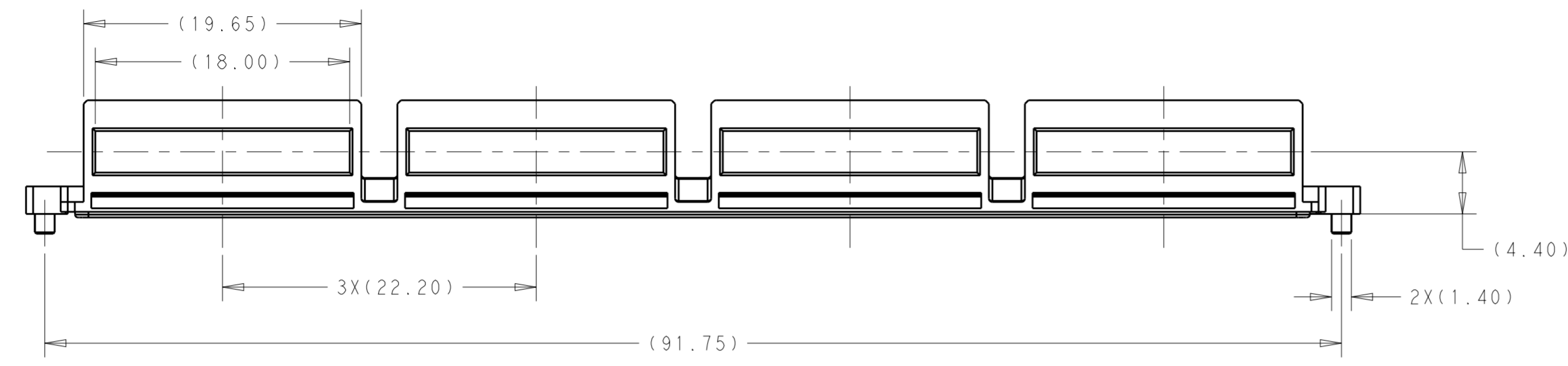


THIS DRAWING IS UNPUBLISHED. RELEASED FOR PUBLICATION 20  
 © COPYRIGHT 20 BY - ALL RIGHTS RESERVED.

REVISIONS				
P	LTR	DESCRIPTION	DATE	APVD
1		PRELIMINARY DRAWING	25MAY2016	AD SH



- MATERIAL : RECEPTAL COVER-ZNIC ALLOY  
 GASKET:SILICON  
 SCREW:STAINLESS STEEL
- PLATING: RECEPTAL COVER-1.27µm MIN NICKEL OVER COPPER PLATING
- MATE WIHT MSA COMPLIANT TRANSCEIVER
- PACKAGE AS SEPARAOTR KITS IN ONE BOX

THIS PRINT IS  
**PRELIMINARY**  
 UNQUALIFIED PRODUCT  
 CONTACT PRODUCT ENGINEERING  
 BEFORE USING THIS PRINT

3	2292789-1	M1.4X6 SCREW	2
1	2289498-1	RECEPTAL COVER WIHT GASKET	1
-1	PART NUMBER	DESCRIPTION	ITEM

THIS DRAWING IS A CONTROLLED DOCUMENT.		DWN ANDY.XIF 25MAY2016	TE Connectivity <b>PRELIMINARY</b>		
DIMENSIONS: mm		CHK SEAN.HAN 25MAY2016			NAME RECEPTAL COVER WITH SCREW CFP4 1X4
TOLERANCES UNLESS OTHERWISE SPECIFIED:		APVD SEAN.HAN 25MAY2016			PRODUCT SPEC -
0 PLC ± 1 PLC ±0.25 2 PLC ±0.15 3 PLC ±0.10 4 PLC ± ANGLES ± FINISH -		APPLICATION SPEC -			RESTRICTED TO -
MATERIAL -		WEIGHT -	SIZE A2	CAGE CODE -	
			DRAWING NO. C-2304456	SCALE 1:1	
CUSTOMER DRAWING			SHEET 1 OF 1	REV 1	