

# Customer Information Sheet

DRAWING No.: R6003-00 - R6022-00

SHEET 2 OF 2

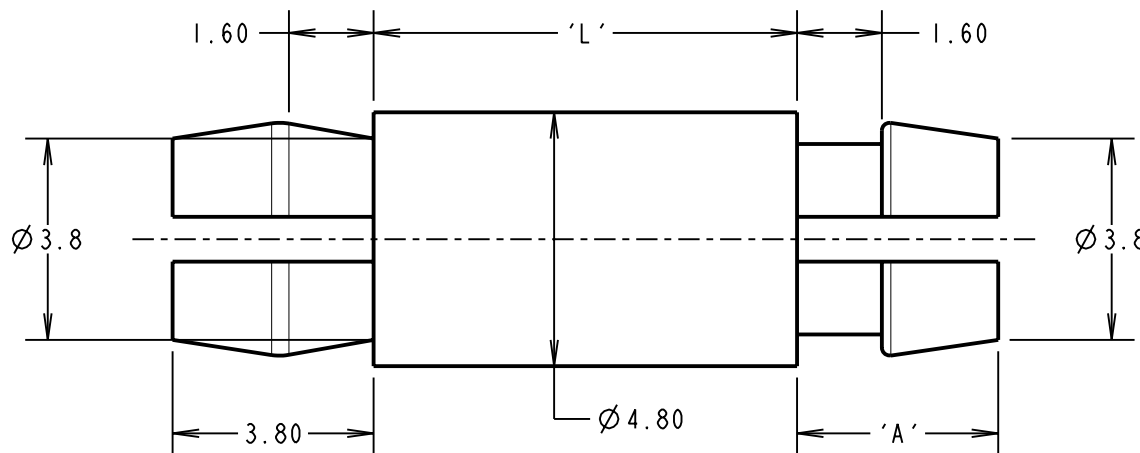
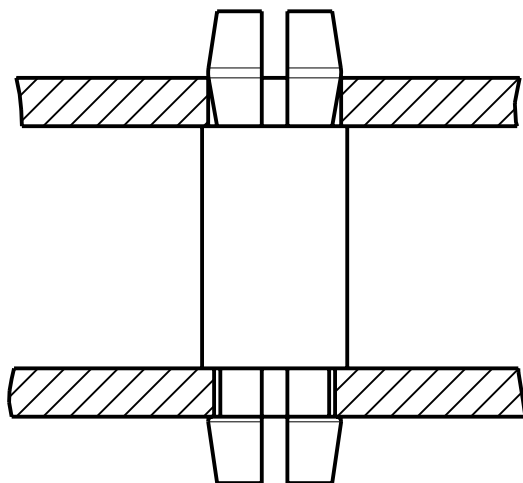
IF IN DOUBT - ASK

©

NOT TO SCALE

THIRD ANGLE PROJECTION

ALL DIMENSIONS IN mm



PART No.	'L'	'A'
R6003-00	3.20	3.80
R6006-00	6.30	3.80
R6008-00	8.00	3.80
R6010-00	10.50	3.80
R6013-00	12.70	5.60
R6022-00	22.20	5.60

**NOTES:**

- SUITABLE FOR 1.6mm THICK PCB.
- RECOMMENDED HOLE SIZE =  $\varnothing 4.0\text{mm} \pm 0.1\text{mm}$  FOR BOTH ENDS.

ORDER CODE:  
**R60XX-00**  
 LENGTH 'L' IN mm

CP	8	04.03.10	10702
NAME	ISS.	DATE	C/NOTE
APPROVED: C. PENROSE			
CHECKED: R. ADDE			
DRAWN: J. KEIR			
CUSTOMER REF.:			
ASSEMBLY DRG:			

**HARWIN**

HARWIN USA TEL: 603 893 5376 FAX: 603 893 5396 mis@harwin.com	HARWIN Europe (UK) TEL: 023 9231 4545 FAX: 023 9231 4590 mis@harwin.co.uk	HARWIN Asia TEL: +65 6 779 4909 FAX: +65 6 779 3868 mis@harwin.com.sg
--	--	--

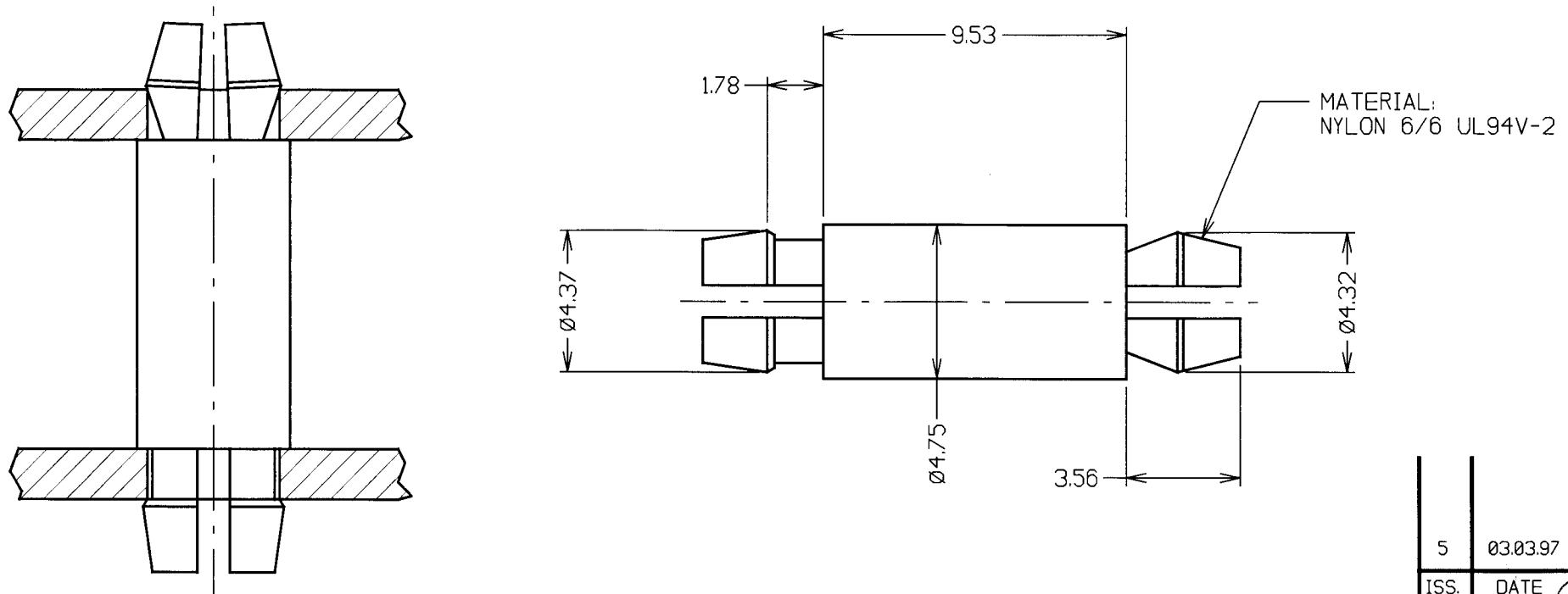
THIS DRAWING AND ANY INFORMATION OR DESCRIPTIVE MATTER SET OUT HEREON ARE CONFIDENTIAL AND COPYRIGHT PROPERTY OF THE HARWIN GROUP AND MUST NOT BE DISCLOSED, LOANED, COPIED OR USED FOR MANUFACTURING, TENDERING OR FOR ANY OTHER PURPOSE WITHOUT THEIR WRITTEN PERMISSION.

**TOLERANCES**  
 X. =  $\pm 1\text{mm}$   
 X.X =  $\pm 0.25\text{mm}$   
 X.XX =  $\pm 0.10\text{mm}$   
 X.XXX =  $\pm 0.01\text{mm}$   
 ANGLES =  $\pm 5^\circ$   
 UNLESS STATED

**MATERIAL:**  
 NYLON 66, UL94V-2  
 NATURAL  
**FINISH:** CLEAN  
**S/AREA:** mm<sup>2</sup>

**TITLE:**  
 PLASTIC SPACER  
 SELF LOCKING  
**DRAWING NUMBER:**  
**R6003-00 - R6022-00**  
 SHT 2 OF 2

## CUSTOMER INFORMATION SHEET



## NOTES:

1. SUTABLE FOR 1.6mm THICK PCB.
2. RECOMMENDED HOLE SIZE  $\varnothing 4.0\text{mm}$  FOR BOTH ENDS.
3. ALL TOLERANCES  $\pm 0.13\text{mm}$  UNLESS OTHERWISE STATED.

5	03.03.97	----
ISS.	DATE	C/N
APPROVED:		
CHECKED: <i>WJSB</i>		
DRAWN: A. LIOTTA		
CUSTOMER REF.		
ASSEMBLY DRG:		

# HARWIN

HARWIN INC U.S.A. TEL: (812) 285 0055 FAX: (812) 285 0056	HARWIN PLC U.K. TEL: 01705 370451 FAX: 01705 314590	HARWIN PTE SINGAPORE TEL: 65 7794909 FAX: 65 7793868	HARWIN CONNECTORS KOREA TEL: 822 521 0747 FAX: 822 521 0749
--	--	---	--

TOLERANCES
X. = $\pm 1\text{mm}$
X.X = $\pm 0.25\text{mm}$
X.XX = $\pm 0.10\text{mm}$
X.XXX = $\pm 0.01\text{mm}$
ANGLES = $\pm 1^\circ$
UNLESS STATED

MATERIAL:

SEE ABOVE

FINISH:

CLEAN

S/AREA:

mm<sup>2</sup>

TITLE:

PLASTIC SPACER  
SELF LOCKING

DRAWING NUMBER:

R6009-00

SHT  
2  
OF  
2