

PRODUCT BRIEF

KEY FEATURES

- ▶ High reliability
- ▶ Low insertion Loss
- ▶ High Isolation
- ▶ Optimized for different wavelengths
- ▶ Wide operating temperature range

OVERVIEW

Pigtail isolator is generally used in various lasers which require isolation to prevent feedback into laser.

Finisar pigtail isolators offer excellent performance with low insertion loss, high isolation. Our proprietary bonding process, and years of volume manufacturing experience, results in a high reliability record. Bare isolator chips survive more than 5,000hrs of damp heat testing without delamination.

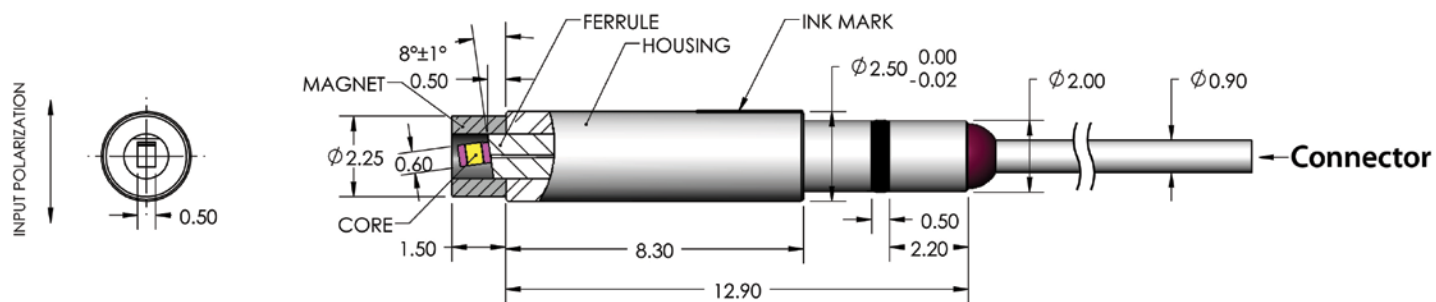


SPECIFICATIONS

Parameters	Units	Specification
CWL	nm	1270 ~ 1610
Operating wavelength	nm	+/-20
Insertion loss (Isolator chip)	dB	< 0.4
Insertion loss (Connector)	dB	< 0.2
Isolation at center wavelength	dB	>30 dB @ 23 °C
Operating temperature	°C	-40 to 85
Storage temperature	°C	-40 to 85
Connector		SC/APC

Pigtail Isolator

PACKAGE DIMENSIONS (unit: mm)



ORDERING INFORMATION

Part Number:	Description
FIP-S-31-00-4	Pigtail isolator, 1310nm, single stage, SC/APC connector
FIP-S-55-10-4	Pigtail isolator, 1550nm, single stage, SC/APC connector