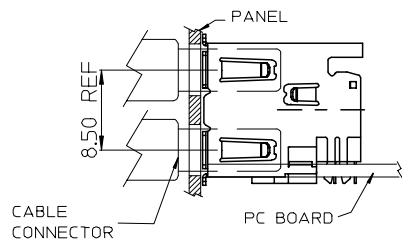
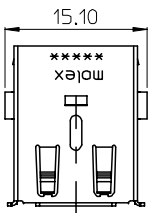
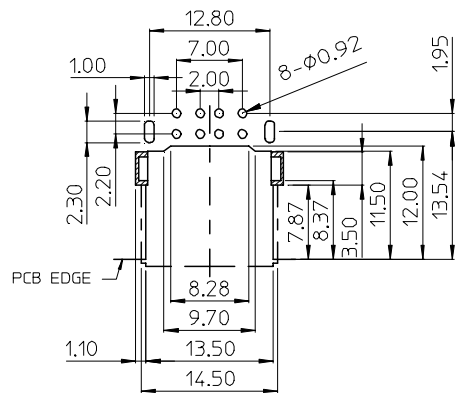


7 6 5 4 3 2 1

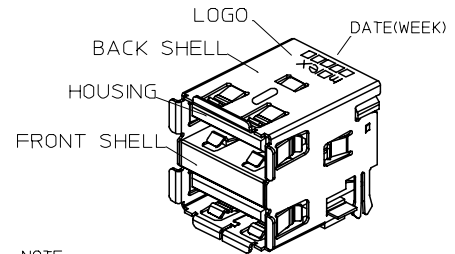
E



RECESSED MOUNTING CONFIGURATION

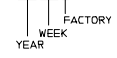


RECOMMENDED PCB LAYOUT COMPONENT SIDE VIEW

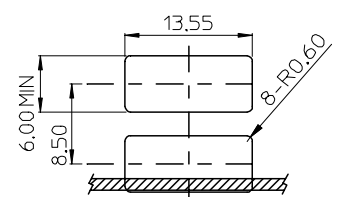
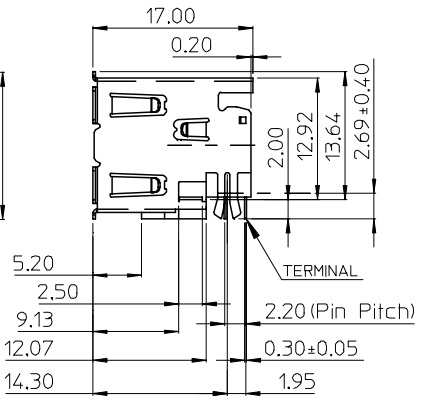
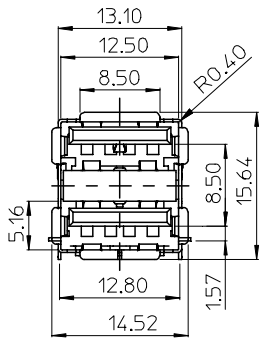


NOTE:

1. MATERIAL:
HOUSING: NYLON GLASS-FIBER REINFORCED, UL94-V0, COLOR: BLACK.
TERMINAL: PHOSPHOR BRONZE.
METAL SHELL: FRONT SHELL: SUS 304
BACK SHELL: BRASS
2. PLATING:
TERMINAL:
CONTACT AREA: SEE TABLE
SOLDER TAIL: TIN PLATED (Sn) ALLOY, THICKNESS=75 MICROINCH MIN.
UNDERPLATE: NICKEL (Ni), THICKNESS=50 MICROINCH MIN.
SURFACE APPEARANCE: BRIGHT.
METAL SHELL:
TIN PLATED (Sn) AT SOLDER AREA
THICKNESS=100 MICROINCH MINIMUM.
UNDER PLATE: NICKEL (Ni), (SOLDERING AVAILABLE)
THICKNESS=50 MICROINCH MINIMUM.
SURFACE APPEARANCE: BRIGHT.
3. RECOMMENDED PCB THICKNESS: 1.20±0.05MM
4. PRODUCT SPECIFICATION: REFER TO PS-67998-002
5. TEST SUMMARY: REFER TO TS-67298-007
6. PACKAGING SPECIFICATION:
REFER TO PK-67298-003 FOR TRAY,
REFER TO PK-67298-004 FOR TAPE & REEL.
7. LEAD FREE AND ROHS COMPLIANCE PRODUCT
8. FOR IR REFLOW PROCESS
9. WEEK CODE XXXXX



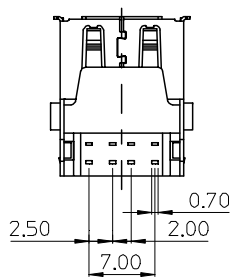
D



MOUNTING PANEL CUTOUT (INTERNAL SIDE)

C

B



PART NUMBER LEGEND

P/N	CONTACT PLATING	PACKAGE
67298-2090	GOLD FLASH	TRAY
67298-2091	30 MICROINCH GOLD	TRAY
67298-2190	GOLD FLASH	TAPE & REEL
67298-2191	30 MICROINCH GOLD	TAPE & REEL

L/F FOR 67298	DESCRIPTION
EC NO: SH20050529297	2005/05/06
DRWN: JCHEN12	2005/05/10
CHKD: CHKD:	2005/05/10
APPR: MWSCHANG	2005/05/10
REV	

QUALITY SYMBOLS
▽=0
∇=0

GENERAL TOLERANCES (UNLESS SPECIFIED)	DIMENSION STYLE	
	mm	INCH
4 PLACES ± ---	± ---	
3 PLACES ± ---	± ---	
2 PLACES ± 0.25	± ---	
1 PLACE ± 0.25	± ---	
	ANGULAR ± 3 °	
DRAFT WHERE APPLICABLE MUST REMAIN WITHIN DIMENSIONS		

DIMENSION STYLE	
MM ONLY	
DRAWN BY	DATE
IVY-LIN	05/04/18
CHECKED BY	DATE
ALLEN	05/04/18
APPROVED BY	DATE
MWSCHANG	05/04/18
MATERIAL NO.	
SEE TABLE	
SIZE	
A/4	

SCALE	DESIGN UNITS	THIRD ANGLE PROJECTION
	METRIC	
TITLE		
USB DUAL STACKED A CONNECTOR (LEAD FREE VERSION)		
MOLEX INCORPORATED		
DOCUMENT NO.		SHEET NO.
SD-67298-007		1 OF 1
THIS DRAWING CONTAINS INFORMATION THAT IS PROPRIETARY TO MOLEX INCORPORATED AND SHOULD NOT BE USED WITHOUT WRITTEN PERMISSION		

A

6 5 4 3 2 1