

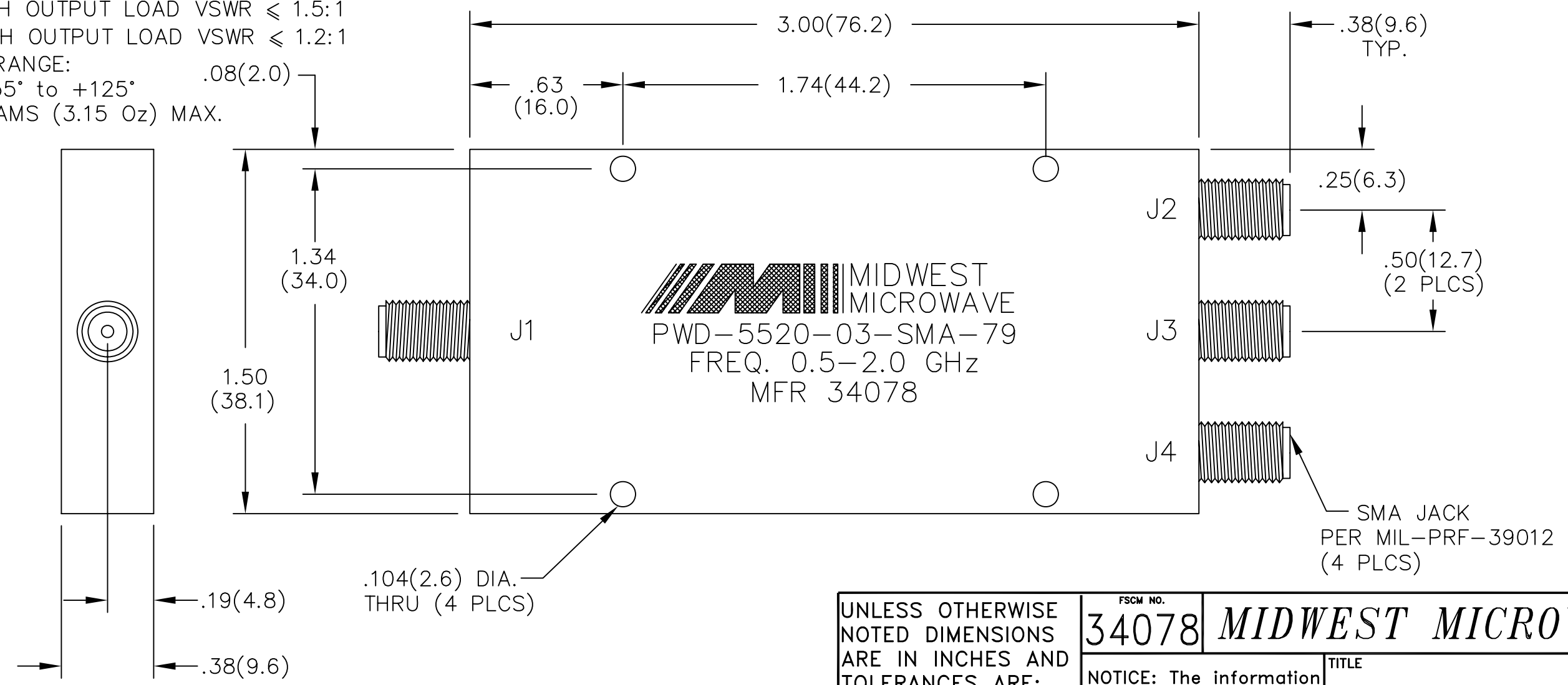
MODEL NUMBER
PWD-5520-03-SMA-79

REV.
A

- NOTES:
- 1.0 ELECTRICAL SPECIFICATIONS:
- 1.1 FREQUENCY RANGE: 0.5 to 2.0 GHz
 - 1.2 INSERTION LOSS: 1.0dB MAX.
 - 1.3 ISOLATION: 15dB MIN.
 - 1.4 VSWR: 1.5:1 MAX
 - 1.5 OUTPUT UNBALANCE:
AMPLITUDE: 0.5dB MAX.
PHASE: 5° MAX.
 - 1.6 MAX. INPUT POWER:
5 WATTS WITH OUTPUT LOAD VSWR ≤ 2.0:1
12 WATTS WITH OUTPUT LOAD VSWR ≤ 1.5:1
30 WATTS WITH OUTPUT LOAD VSWR ≤ 1.2:1
 - 1.7 TEMPERATURE RANGE:
OPERATING: -55° to +125°
 - 1.8 WEIGHT: 89 GRAMS (3.15 Oz) MAX.

- 2.0 FINISHING:
- 2.1 GREY PER MIL-E-15090 TYPE II, CLASS 2
OVER MIL-C-5541 CLASS 3A
MEETS MIL-F-14072
MEETS MIL-E-5400
 - 2.2 MARKING: MARK UNIT AS SHOWN
(REF.: SLK-08002-82-01)

3.0 DIMENSIONS IN PARENTHESIS ARE
IN MILLIMETERS.



UNLESS OTHERWISE NOTED DIMENSIONS ARE IN INCHES AND TOLERANCES ARE:		FSCM NO. 34078		MIDWEST MICROWAVE	
3 PLACE DECIMALS ±.005		NOTICE: The information contained in this drawing is proprietary and must not be used without the permission of Midwest Microwave		TITLE POWER DIVIDER	
2 PLACE DECIMALS ±.02					
FRACTIONS ±1/64		DRAWN/DATE A.BEATTY 6/22/95		ENG./DATE P.GOODMAN 6/22/95	
PARALLELITY: T.I.R. _____		CHECKED/DATE		APPROVED/DATE	
FLATNESS: T.I.R. _____		DRAWING NUMBER PWD-5520-03-SMA-79			
CONCENTRICITY: T.I.R. _____		SCALE: 2=1		SHEET 1 of 1	
ANGLES AND PERPENDICULARITY: ±1°					

REV.	DESCRIPTION	DATE
-	RELEASED	6/23/95
A	ECN 19458	11/4/03