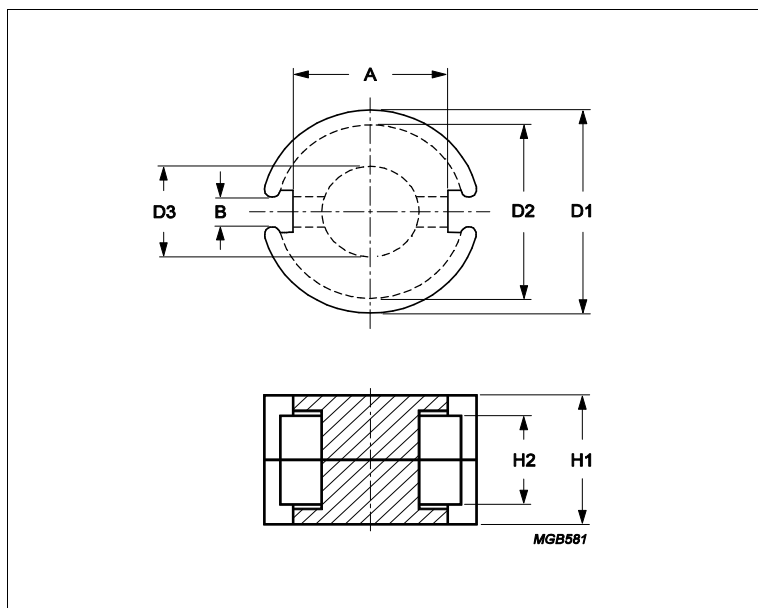


Core **P22/13/I**



Effective parameters			
	Parameter	Value	Unit
$\Sigma(I/A)$	core factor (C1)	0.45	mm ⁻¹
Ve	effective volume	2460	mm ³
Le	effective length	33.3	mm
Ae	effective area	73.4	mm ²
Amin	minimum area	58.1	mm ²
m	P22/13/I	≈ 13	g/set

Dimensions for product: P22/13/I						
	Nom	Tol +	Tol -	Max	Min	Unit
A	15.00	0.40	0.40	15.40	14.60	mm
B	3.80	0.60	0.60	4.40	3.20	mm
D1	22.00	0.00	0.80	22.00	21.20	mm
D2	18.20	0.30	0.30	18.50	17.90	mm
D3	9.40	0.00	0.30	9.40	9.10	mm
H1	13.40	0.20	0.20	13.60	13.20	mm
H2	9.20	0.40	0.00	9.60	9.20	mm

Inductance factor					
Material	Value	Tol +	Tol -	Unit	
3C91	5330	25%	25%	nH/turns ²	
3C95	5330	25%	25%	nH/turns ²	
3F36	3000	25%	25%	nH/turns ²	
3F46	1800	25%	25%	nH/turns ²	

Power loss: 3C91					
Measuring conditions			Max	Unit	
100 kHz	200 mT	60 °C	1.200	W/set	
Power loss: 3C95					
Measuring conditions			Max	Unit	
100 kHz	200 mT	100 °C	1.200	W/set	
100 kHz	200 mT	25 °C	1.300	W/set	
Power loss: 3F36					
Measuring conditions			Max	Unit	

Core **P22/13/I**

Power loss: 3F36

Measuring conditions			Max	Unit
500 kHz	50 mT	100 °C	0.370	W/set
500 kHz	100 mT	100 °C	2.800	W/set

Power loss: 3F46

Measuring conditions			Max	Unit
1000 kHz	50 mT	100 °C	1.000	W/set
3000 kHz	10 mT	100 °C	0.600	W/set

Bsat

Measuring conditions			Material	Min	Unit
25 kHz	250 A/m	100 °C	3C91	320	mT
25 kHz	250 A/m	100 °C	3C95	330	mT
25 kHz	250 A/m	100 °C	3F36	340	mT
25 kHz	250 A/m	100 °C	3F46	330	mT

Accessories

Ordering name	Description	Ordering code
CP-P22/13-1S	Coil former, termoplastic	432202102411
CP-P22/13-1S-A	Coil former, termoplastic	433500026101
CP-P22/13-2S	Coil former, termoplastic	432202102421
CP-P22/13-3S	Coil former, termoplastic	432202102431
CPV-P22/13-1S-6PDL-Z	Coil former, termoplastic, vertical	433506026531
CPV-P22/13-1S-6PD-Z	Coil former, termoplastic, vertical	433506026521
CPV-P22/13-3S-6PD-Z	Coil former, termoplastic, vertical	433506026561