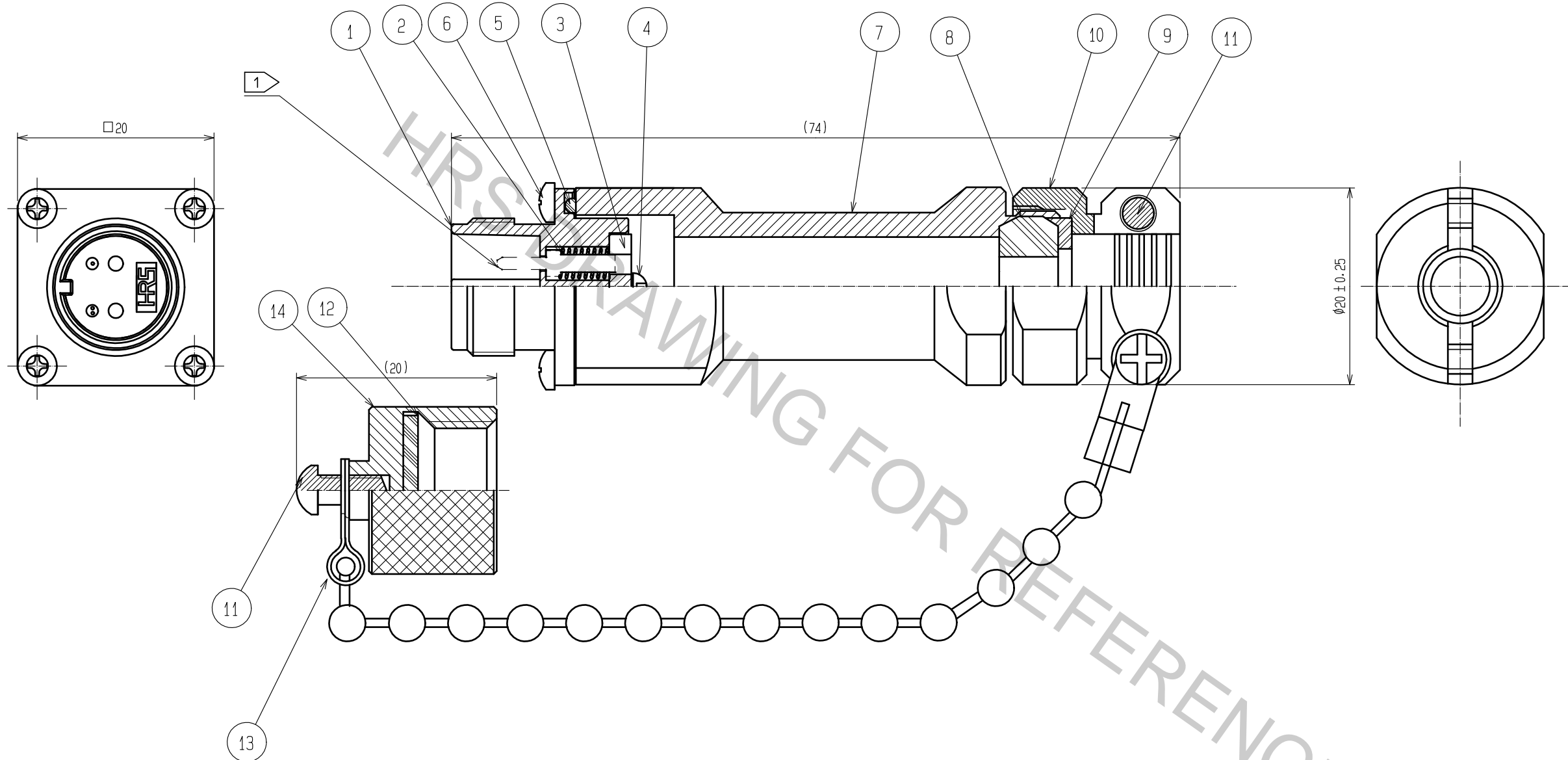


Aug.1.2018 Copyright 2018 HIROSE ELECTRIC CO., LTD. All Rights Reserved.  
 In case that the application demands a high level of reliability, such as automotive,  
 please contact a company representative for further information.



NOTE. This product does not include ferrule.

7	Aluminum alloy	Anodic oxide coating(Black)	14	Aluminum alloy	Anodic oxide coating(Black)
6	Stainless steel	_____	13	Stainless steel	_____
5	Synthetic rubber	_____	12	Synthetic rubber	_____
4	Stainless steel	_____	11	Stainless steel	Nyrocks
3	Synthetic resin	_____	10	Brass	Chrome plating(Black)
2	Piano wire	Zinc plating	9	Synthetic resin	_____
1	Zinc die casting	Chrome plating(Black)	8	Synthetic rubber	_____
NO.	MATERIAL	FINISH . REMARKS	NO.	MATERIAL	FINISH . REMARKS

UNITS mm		SCALE 2 : 1	COUNT 	DESCRIPTION OF REVISIONS	DESIGNED	CHECKED	DATE
HIROSE ELECTRIC CO., LTD.				APPROVED : MT. SHIBUTANI 18.03.16 CHECKED : FS. YOSHIDA 18.03.16 DESIGNED : SI. MATSUMOTO 18.03.15 DRAWN : SR. TOYOKAWA 18.03.15	DRAWING NO. EDC-176380-31-00 PART NO. MF10S-WJ7C01-0200(31) CODE NO. CL709-0532-4-31		