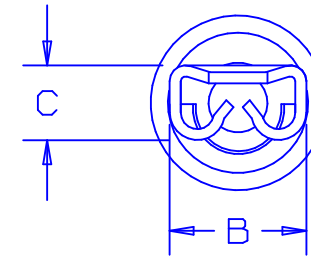
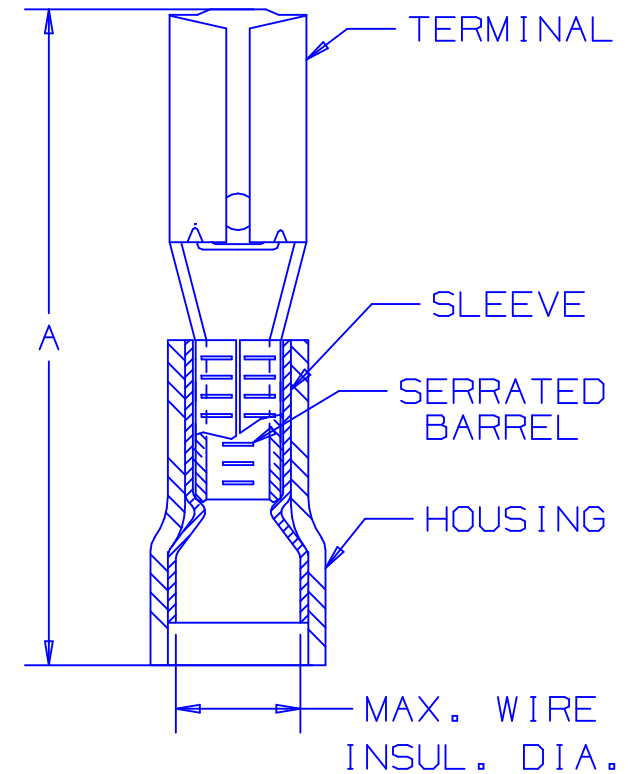


PART NUMBER	TAB SIZE	WIRE RANGE AWG	MAX. INSUL. DIA.	DIMENSIONS in.		
				A ±.03	B ±.01	C ±.01
DNF18-110	.110 X .032 (2.8 X 0.8)	22-18 (0.5-1.0)	.100 (2.54)	.69 (17.5)	.15 (3.8)	.08 (2.0)
DNF18-111	.110 X .020 (2.8 X 0.5)	22-18 (0.5-1.0)	.100 (2.54)	.69 (17.5)	.15 (3.8)	.07 (1.8)



NOTES:

- UL LISTED AND CSA CERTIFIED FOR:
  - 300V. MAX. VOLTAGE RATING
  - #22-18 AWG STRANDED COPPER WIRE ONLY
  - 194° F (90° C) MAX. TEMP. RATING
- MATERIAL:
  - STAMPING - .010" (0.25) THK BRASS, TIN PLATED
  - SLEEVE - BRASS, TIN PLATED
  - HOUSING- NYLON, RED
- PACKAGE QTY: STD. PKG. -C= 100  
BULK PKG. -M= 1000
- INITIAL INSERTION FORCE - 12 LB. (53 N) MAX  
INITIAL WITHDRAWAL FORCE - 12 LB. (53 N) MAX  
6 LB. (27 N) MIN
- DIMENSIONS IN BRACKETS ARE IN MILLIMETERS OR mm<sup>2</sup>
- INSTALLATION TOOLS:
  - UL LISTED & CSA CERTIFIED: CT-520, CT-1525
  - PANDUIT RECOMMENDED: CT-100
- WIRE STRIP LENGTH: 9/32 <sup>+1/32</sup><sub>0</sub> (7.1 <sup>+8</sup><sub>0</sub>)



LISTED  
20H3  
E78522



CERTIFIED  
LR31212

A41308\_05

REV	DATE	BY	CHK	DESCRIPTION	ECN #	CUST	PM
05	7/03	KLFU		UPDATED DRAWING			
04	5/98	TM	JW	ADDED CT-1525 TO TOOL NOTES	06872	LA	DH
03	6/95	MS	RS	UPDATED NOTES AND DIMENSIONS	03370	LA	KS
02	11/94	TH	RS	UPDATED NOTES AND DIMENSIONS	02689	LA	TK



CORP.

TINLEY PARK, ILLINOIS

#22-18 BARREL NYLON INSULATED FEMALE DISCONNECT, FUNNELED WIRE ENTRY

DRAWN BY DAW	CHK'D	SCALE NONE	DRAWING NO. A41308
-----------------	-------	---------------	-----------------------