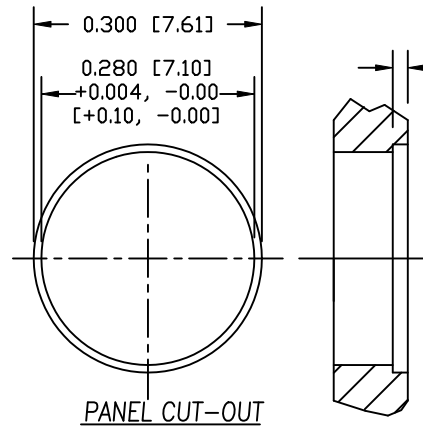
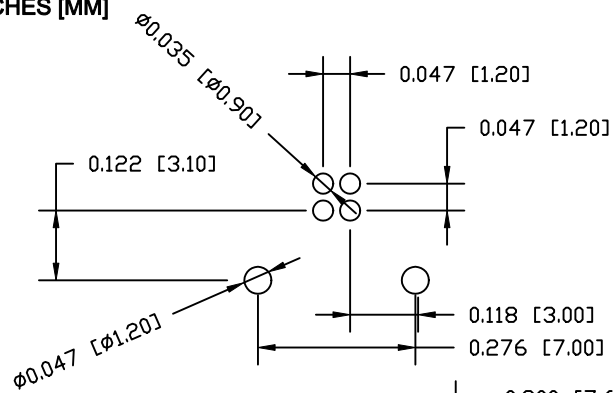
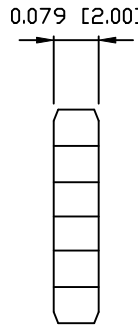
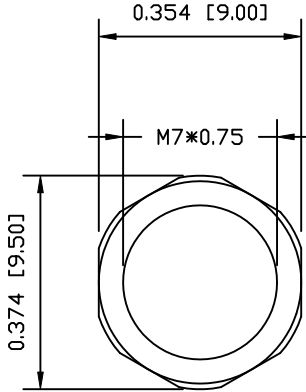
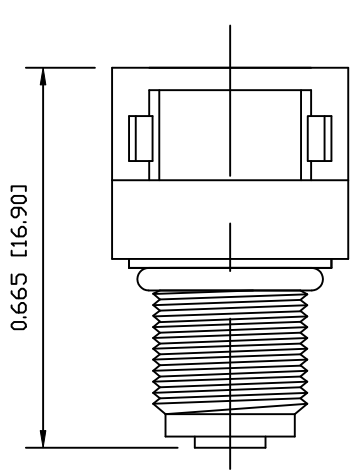


DESCRIPTION: M5 FEMALE - RIGHT ANGLE - PANEL MOUNT - 2 POSITION

UNITS = INCHES [MM]



NUT
853-002-213R00Y

1 = GOLD FLASH
4 = 10µ" GOLD

NOTE:

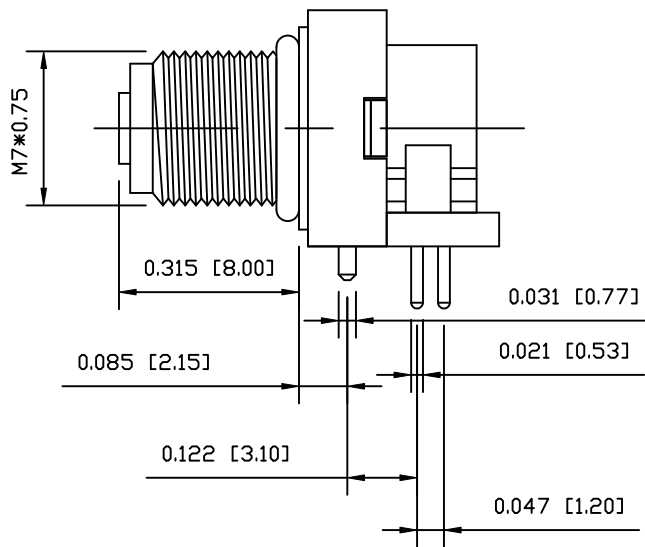
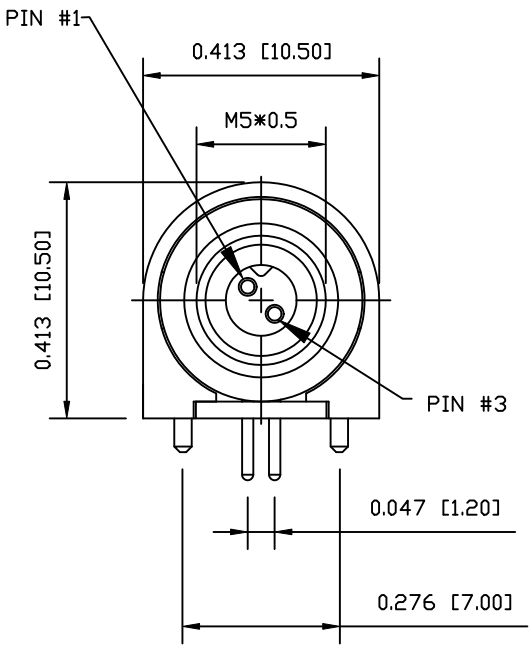
MATERIAL
HOUSING: PBT UL94V-0, BLACK
CONTACT: BRASS
NUT: BRASS
O-RING: NBR, BLACK
BACK HOUSING: PBT UL94V-0, BLACK
DOWN HOUSING: PBT UL94V-0, BLACK

FINISH
CONTACT: GOLD PLATED
OVER 50µ" NICKEL
NUT: NICKEL PLATED

ELECTRICAL
RATED CURRENT: 1A
RATED VOLTAGE: 60V
INSULATION RESISTANCE: 100 MΩhms MIN.
CONTACT RESISTANCE: 10 MΩhms MAX.
WATER PROOF: IP67

ENVIRONMENT
OPERATION TEMPERATURE: -40°C TO +85°C
MAX. ASSEMBLY TORQUE: 1.5 in lbs

DO NOT SCALE FROM DRAWING



RoHS COMPLIANT



THESE DRAWINGS AND SPECIFICATIONS ARE THE PROPERTY OF NorComp AND SHALL NOT BE REPRODUCED, COPIED OR USED AS THE BASIS FOR THE MANUFACTURE OR SALE OF APPARATUS WITHOUT WRITTEN PERMISSION.

DRAWN: M. SIGMON
CHECKED:

DATE: 03-03-16
DATE:

NorComp

SCALE: NTS	SHEET 1 OF 1	REV 4
DWG NO. 853-002-213R00Y		