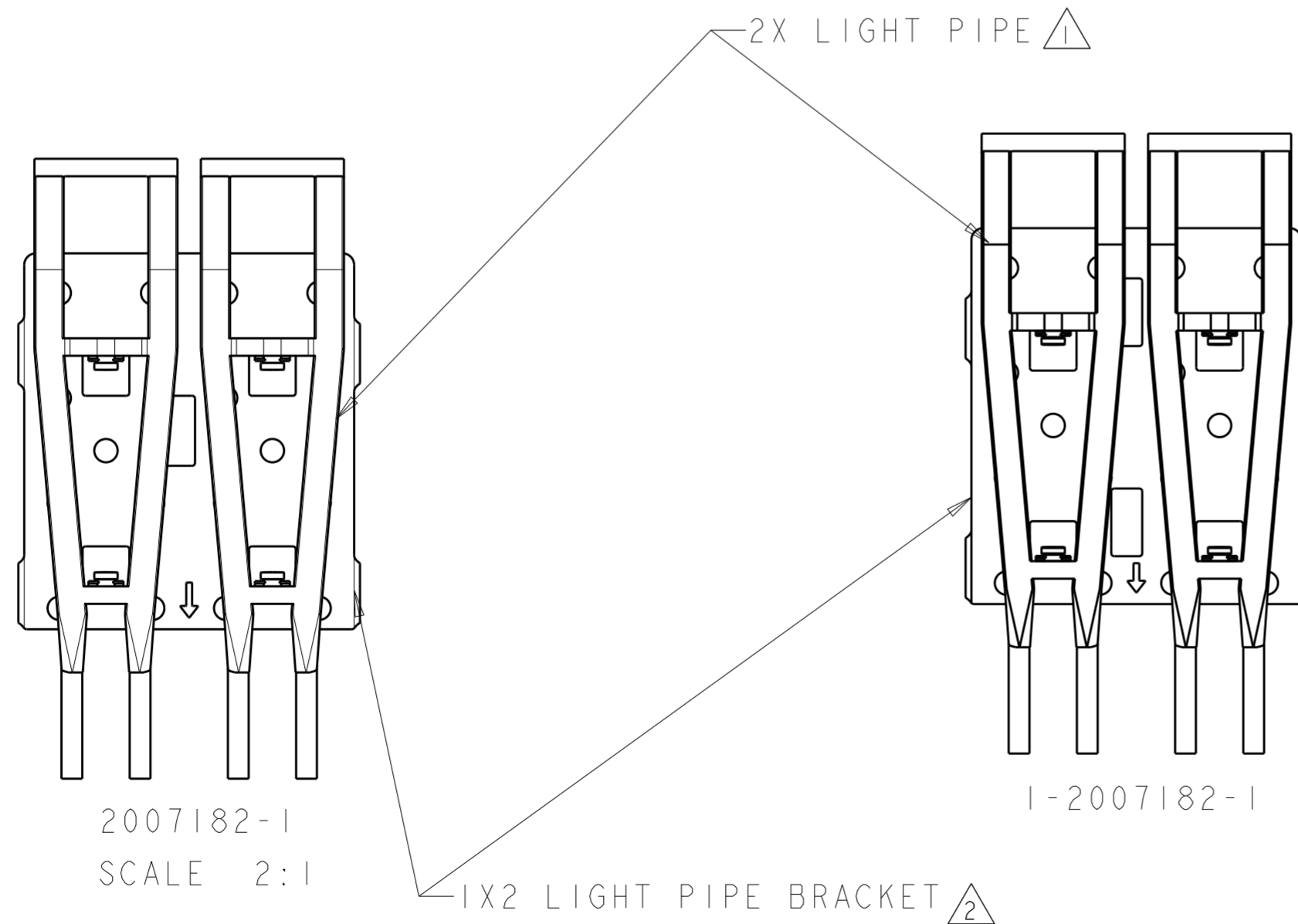
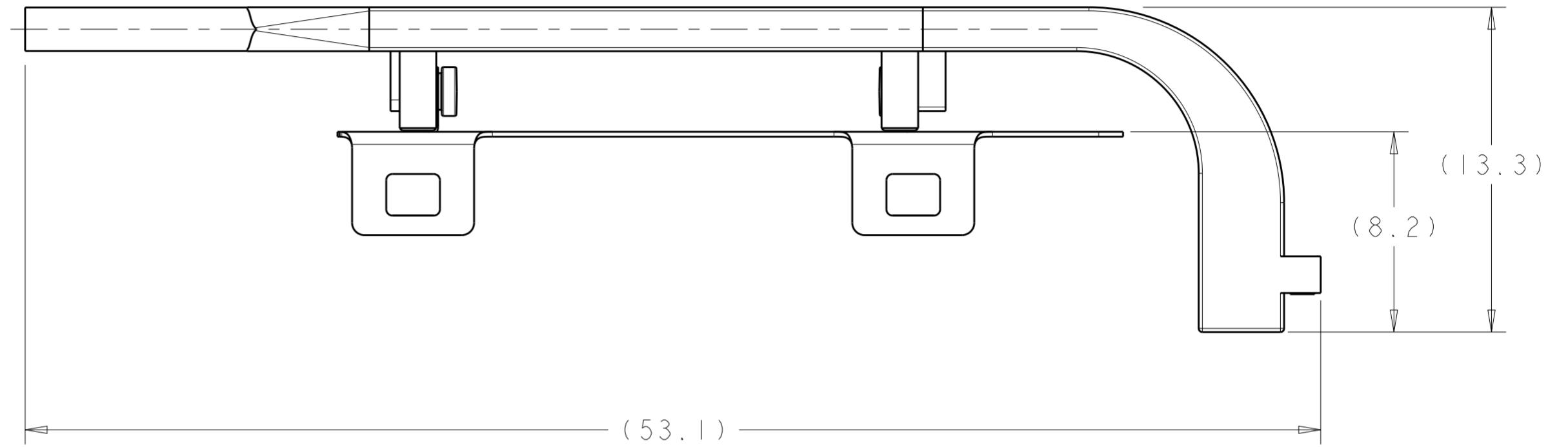
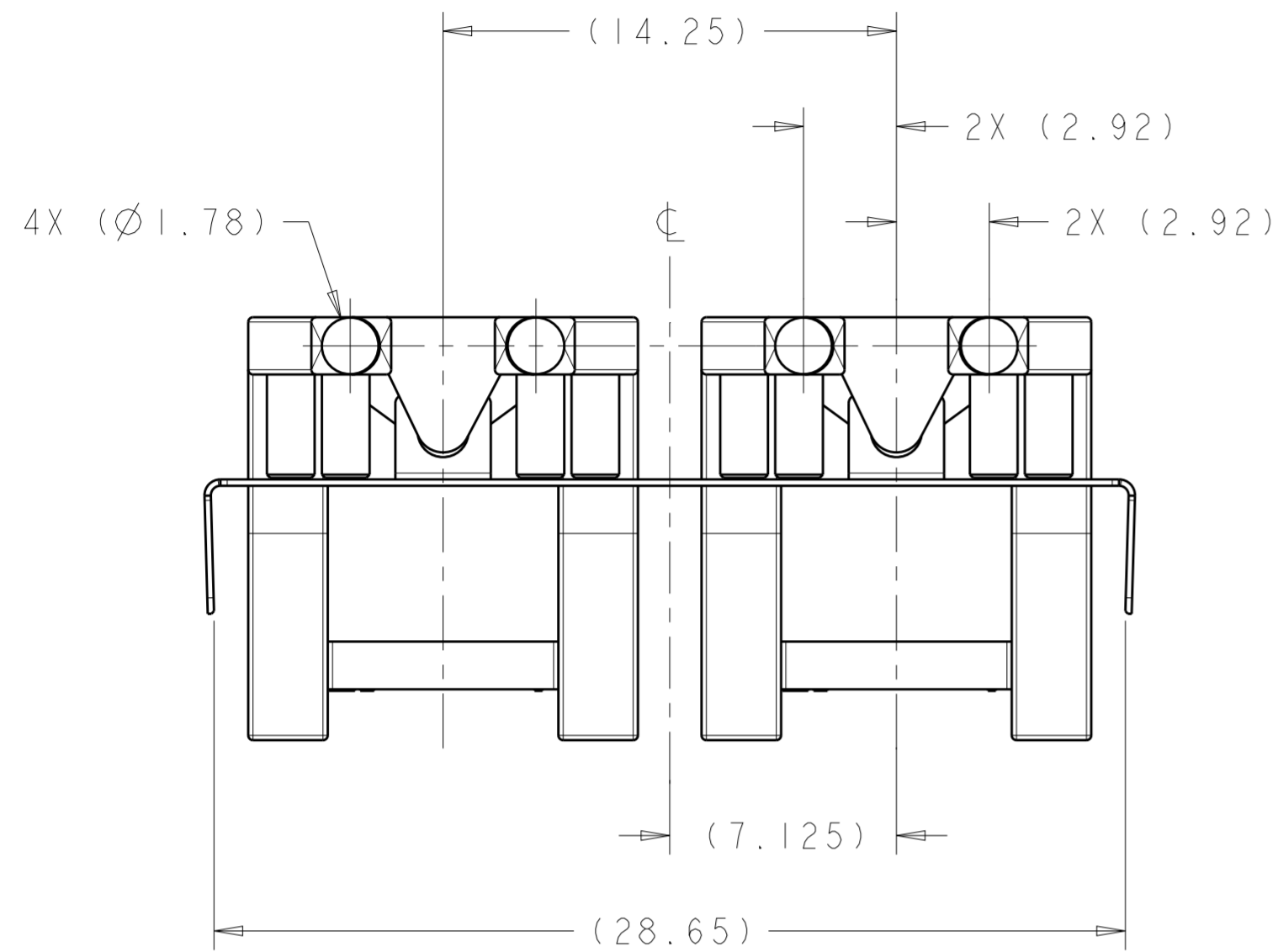


THIS DRAWING IS UNPUBLISHED. RELEASED FOR PUBLICATION 20
 © COPYRIGHT 20 BY - ALL RIGHTS RESERVED.

REVISIONS					
P	LTR	DESCRIPTION	DATE	DWN	APVD
A1		REVISED PER ECO-14-004940	29MAR2014	PP	SH
A2		ADD DASH NUMBER FOR zSFP+			



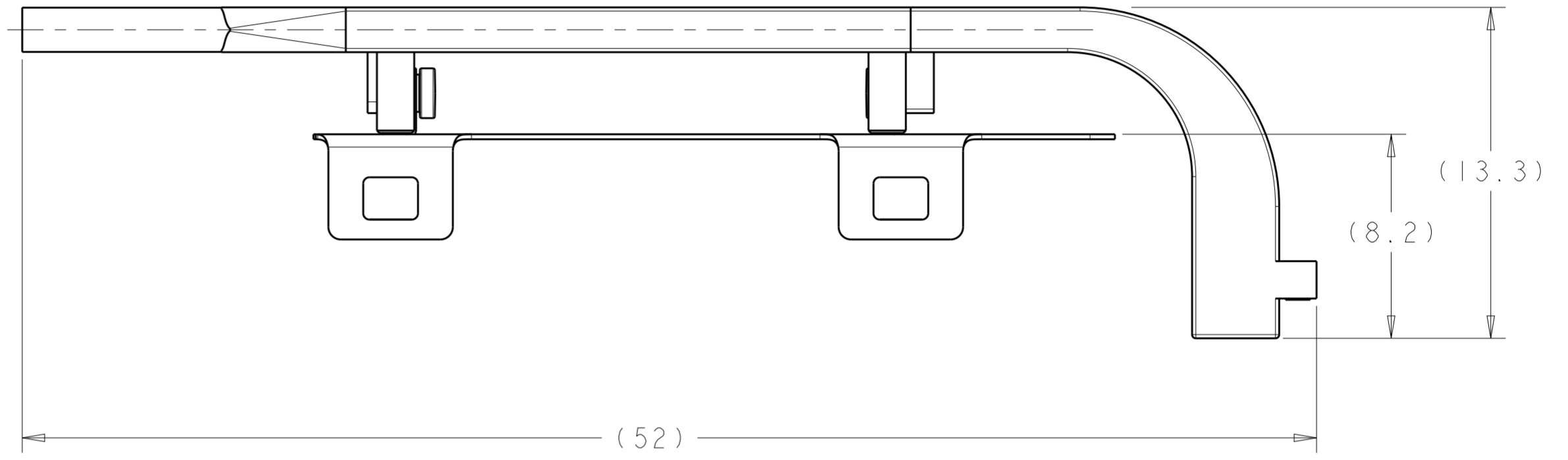
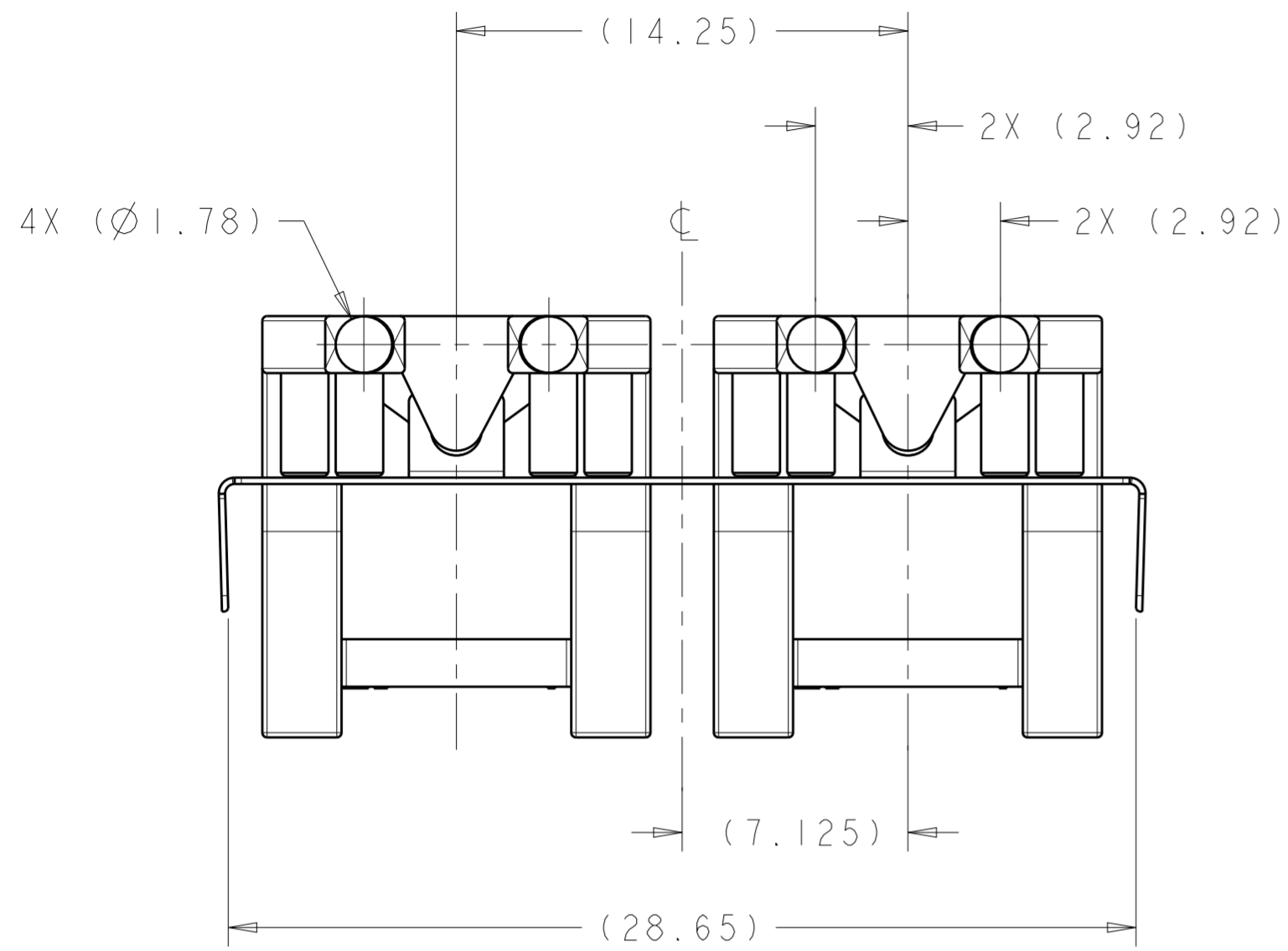
- $\triangle 1$ POLYCARBONATE, CLEAR, UL 94V-2.
- $\triangle 2$ STAINLESS STEEL PER ASTM A 666

APPLIED TO zSFP+	1-2007182-1
APPLIED TO SFP+	2007182-1
REMARK	PART NUMBER

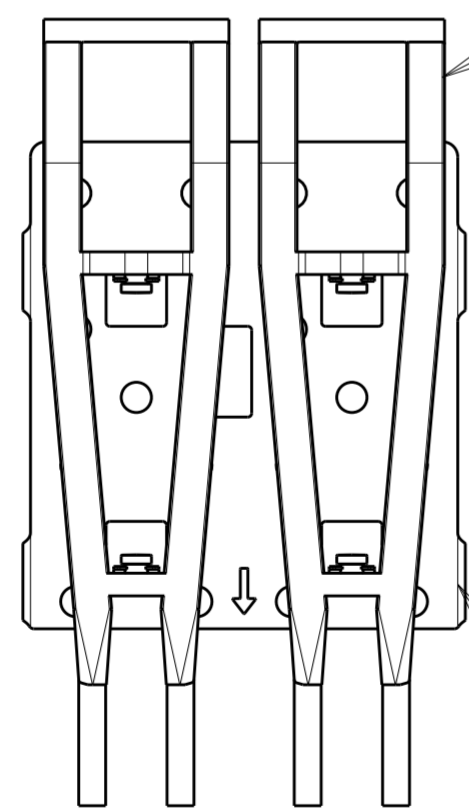
THIS DRAWING IS A CONTROLLED DOCUMENT.		DWN M.E.COWHER 14 JUN 2007	TE Connectivity NAME 1X2 LIGHT PIPE ASSEMBLY, SFP+ SIZE CAGE CODE DRAWING NO RESTRICTED TO A2 00779 C-2007182 -		
DIMENSIONS: mm		CHK M.J.PHILLIPS 14 JUN 2007			
TOLERANCES UNLESS OTHERWISE SPECIFIED:		APVD M.J.PHILLIPS 14 JUN 2007			
0 PLC ± 1 PLC ± 2 PLC ± 3 PLC ± 4 PLC ± ANGLES ± FINISH -		PRODUCT SPEC 108-2364 APPLICATION SPEC - WEIGHT -			
MATERIAL $\triangle 1$ - $\triangle 2$		Customer Drawing	SCALE 5:1	SHEET 1 OF 5	REV A2

THIS DRAWING IS UNPUBLISHED. RELEASED FOR PUBLICATION 20
 © COPYRIGHT 20 BY - ALL RIGHTS RESERVED.

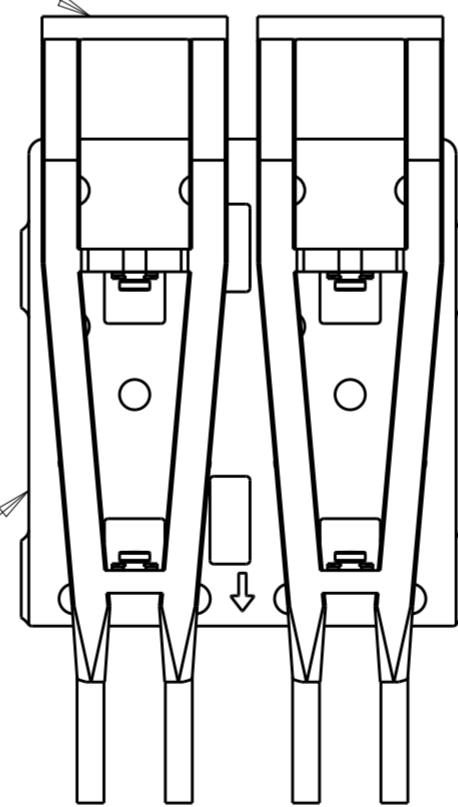
REVISIONS				
P	LTR	DESCRIPTION	DATE	APVD
-		SEE SHEET 1	-	-



2X LIGHT PIPE



2007182-2
 SCALE 2:1



1-2007182-2

1X2 LIGHT PIPE BRACKET 2

APPLIED TO zSFP+	1-2007182-2
APPLIED TO SFP+	2007182-2
REMARK	PART NUMBER

THIS DRAWING IS A CONTROLLED DOCUMENT.

DIMENSIONS:	TOLERANCES UNLESS OTHERWISE SPECIFIED:
mm	0 PLC ±
	1 PLC ±
	2 PLC ±
	3 PLC ±
	4 PLC ±
	ANGLES ±
	FINISH -
MATERIAL	
1 - 2	

DWN	14 JUN 2007
CHK	M. E. COWHER
APVD	14 JUN 2007
	M. J. PHILLIPS
	M. J. PHILLIPS
PRODUCT SPEC	
APPLICATION SPEC	108-2364
WEIGHT	-
Customer Drawing	

STE TE Connectivity

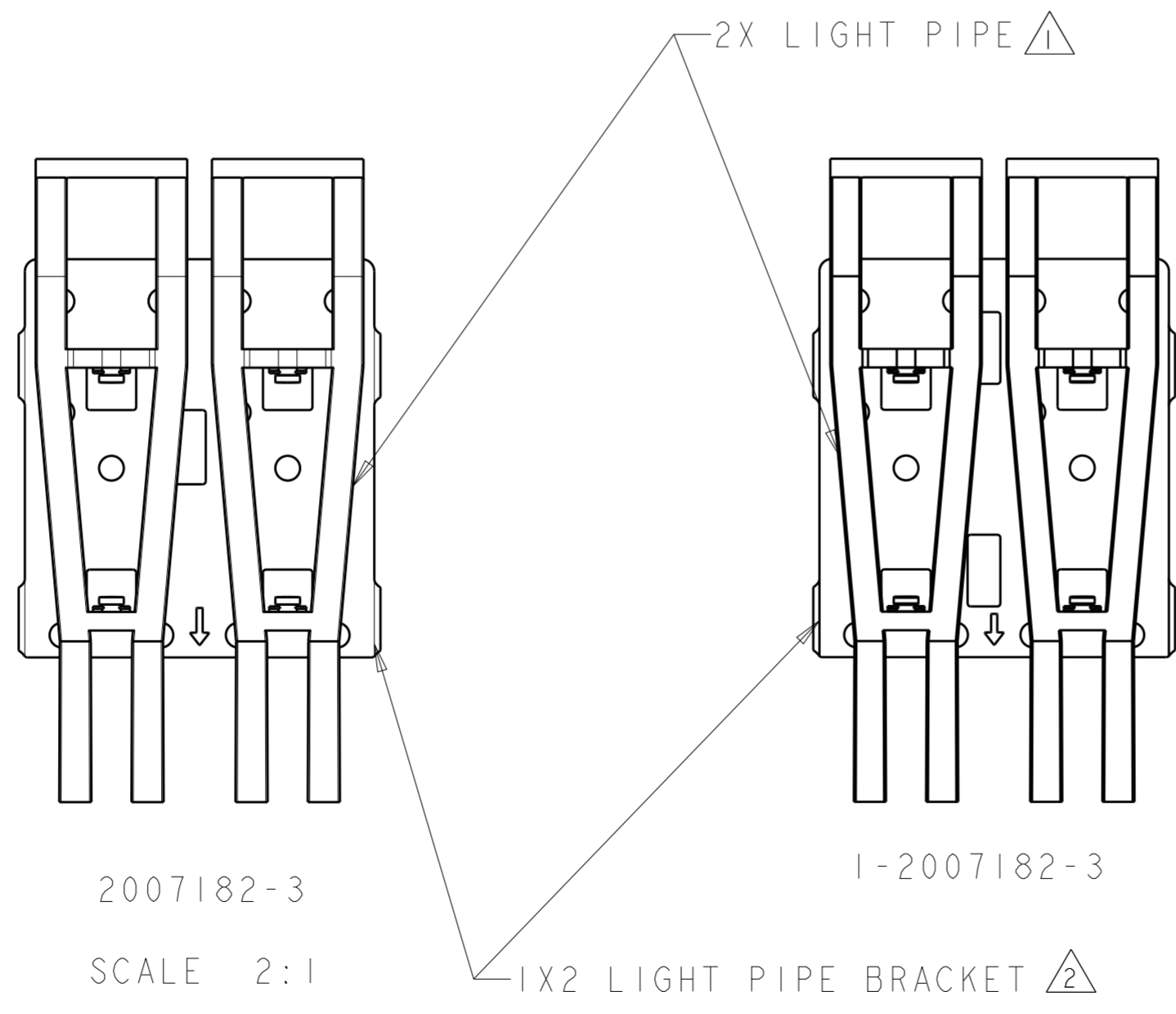
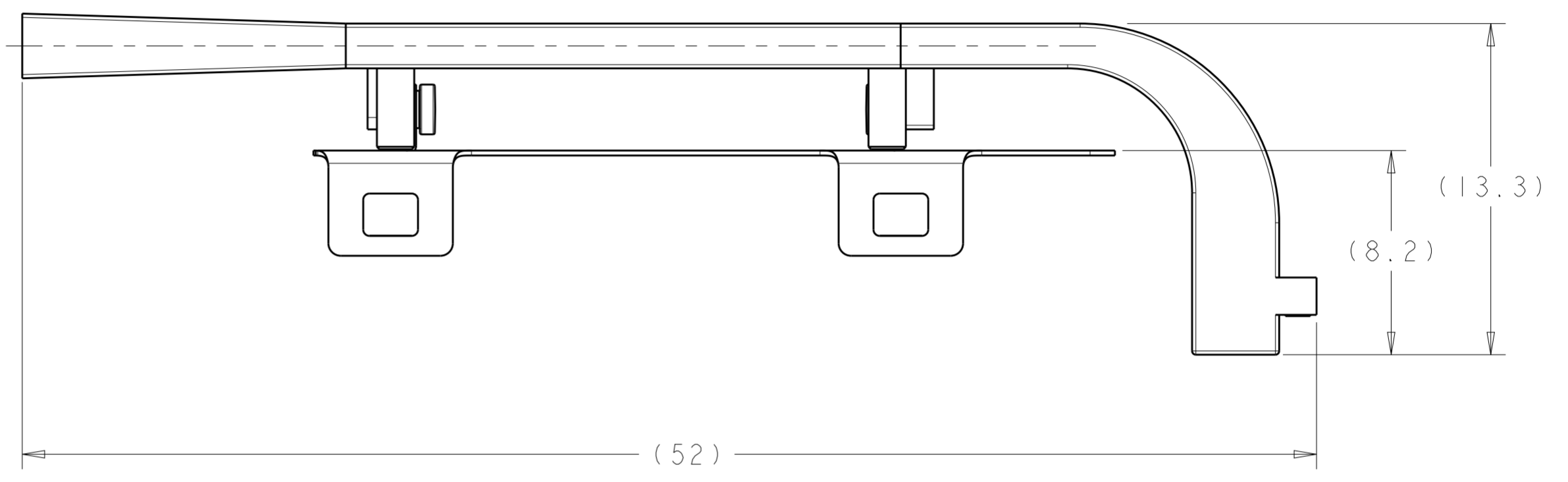
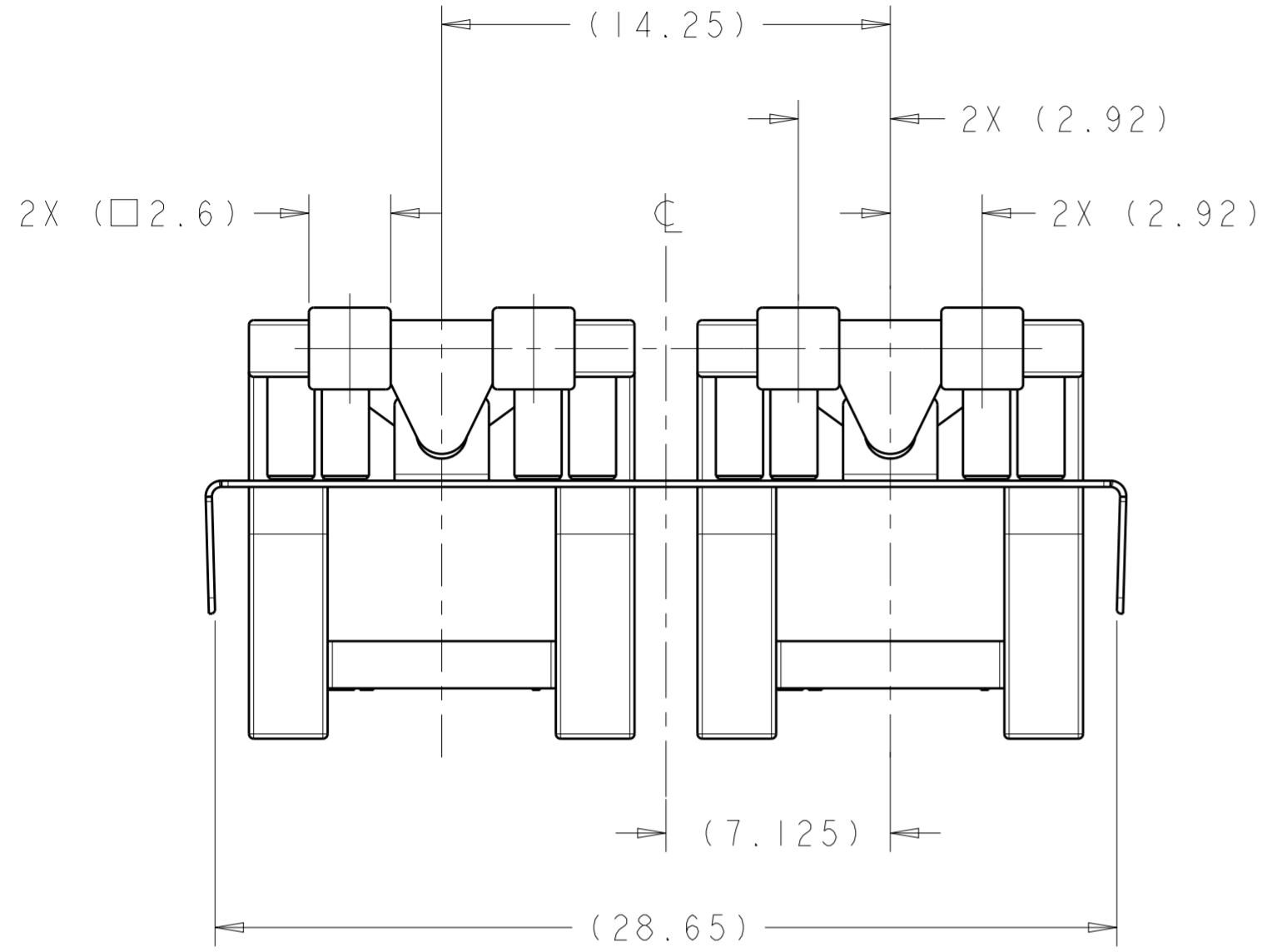
NAME: 1X2 LIGHT PIPE ASSEMBLY, SFP+

SIZE	CAGE CODE	DRAWING NO	RESTRICTED TO
A2	00779	C-2007182	-

SCALE 5:1 SHEET 2 OF 5 REV A2

THIS DRAWING IS UNPUBLISHED. RELEASED FOR PUBLICATION 20
 © COPYRIGHT 20 BY - ALL RIGHTS RESERVED.

REVISIONS				
P	LTR	DESCRIPTION	DATE	APVD
-		SEE SHEET 1	-	-



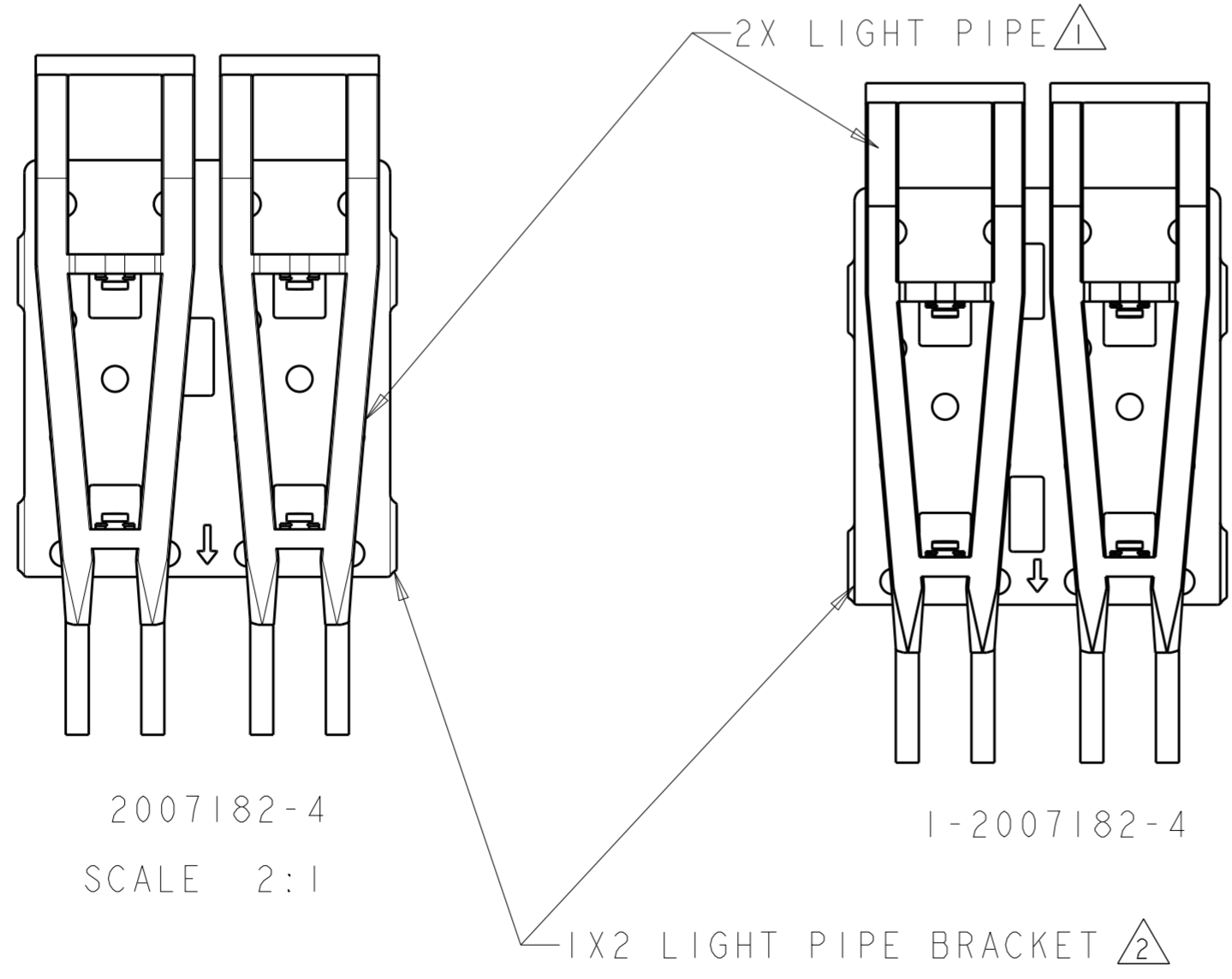
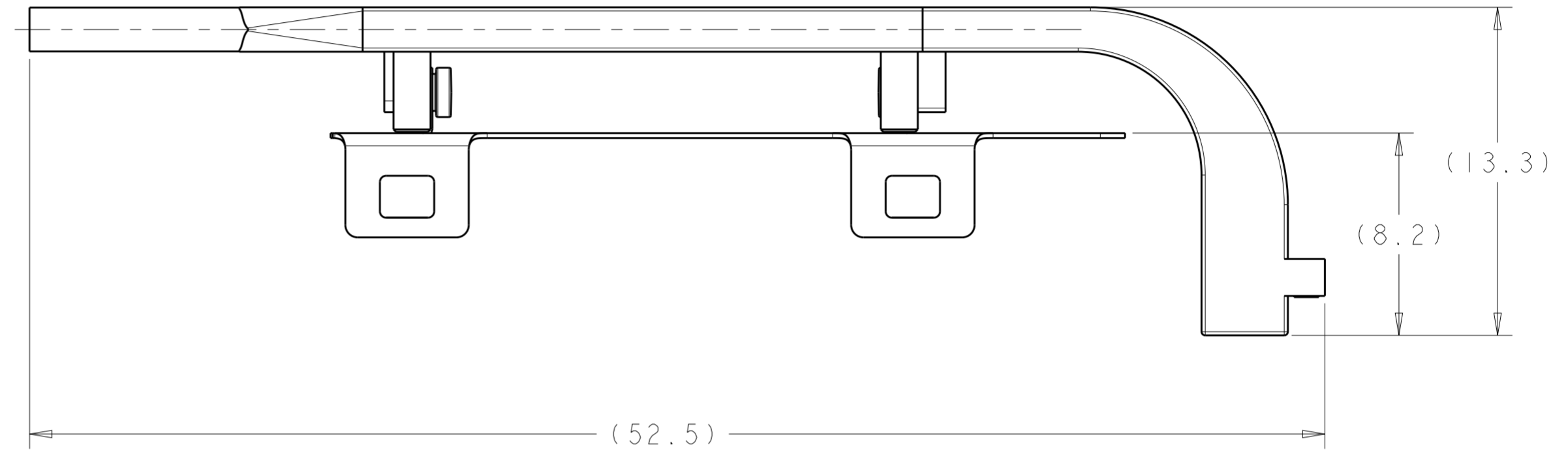
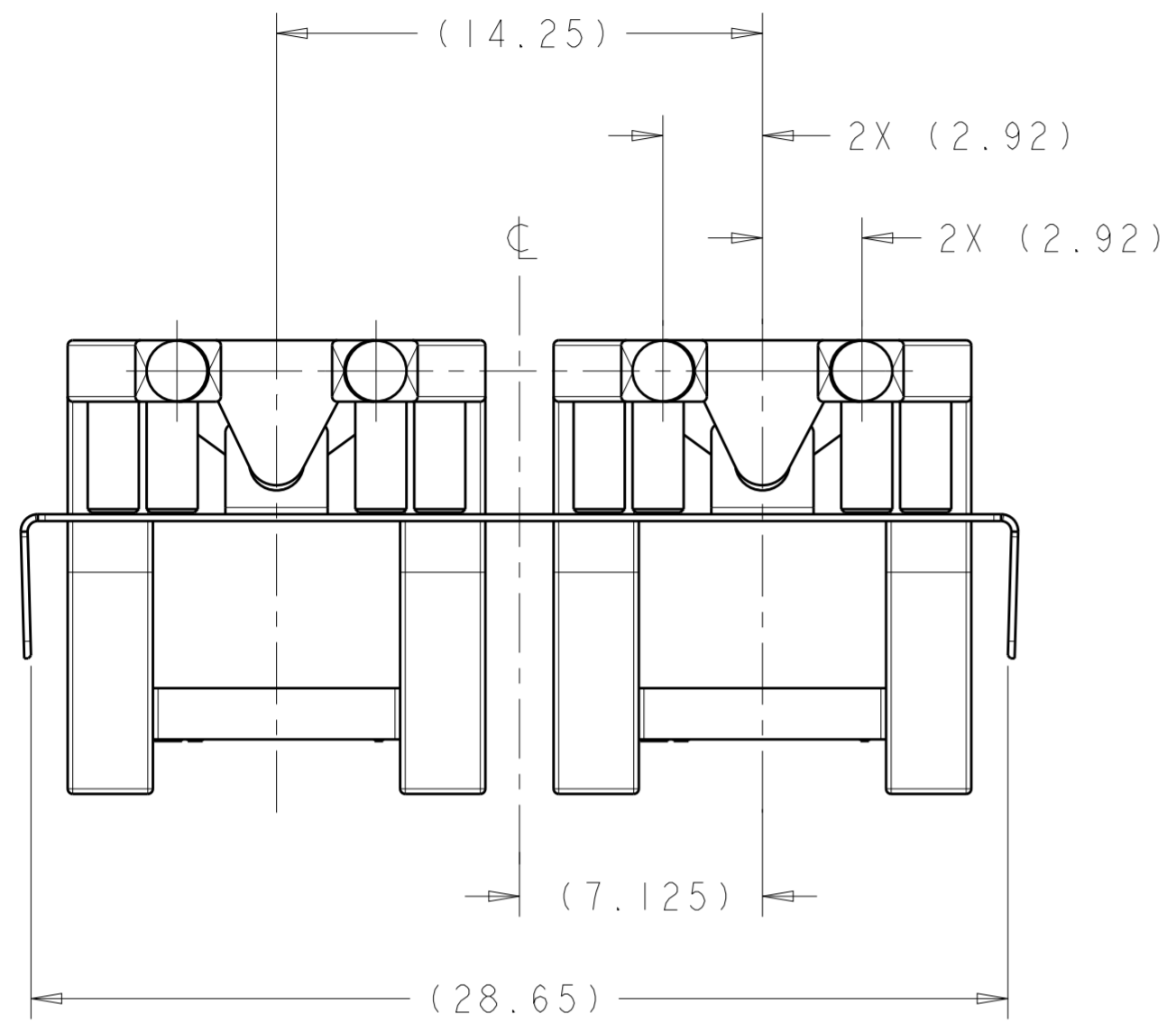
APPLIED TO zSFP+	1-2007182-3
APPLIED TO SFP+	2007182-3
REMARK	PART NUMBER

THIS DRAWING IS A CONTROLLED DOCUMENT.		DWN M.E.COWHER 14 JUN 2007
DIMENSIONS: mm		CHK M.J.PHILLIPS 14 JUN 2007
TOLERANCES UNLESS OTHERWISE SPECIFIED:		APVD M.J.PHILLIPS 14 JUN 2007
0 PLC ±	1 PLC ±	PRODUCT SPEC
2 PLC ±	3 PLC ±	108-2364
4 PLC ±	ANGLES ±	APPLICATION SPEC
MATERIAL	FINISH	WEIGHT
1 2	-	-
Customer Drawing		SCALE 5:1 SHEET 3 OF 5 REV A2

TE Connectivity		NAME	
		1X2 LIGHT PIPE ASSEMBLY, SFP+	
SIZE	CAGE CODE	DRAWING NO	RESTRICTED TO
A2	00779	C-2007182	-

THIS DRAWING IS UNPUBLISHED. RELEASED FOR PUBLICATION 20
 © COPYRIGHT 20 BY - ALL RIGHTS RESERVED.

REVISIONS				
P	LTR	DESCRIPTION	DATE	APVD
-	-	SEE SHEET 1	-	-

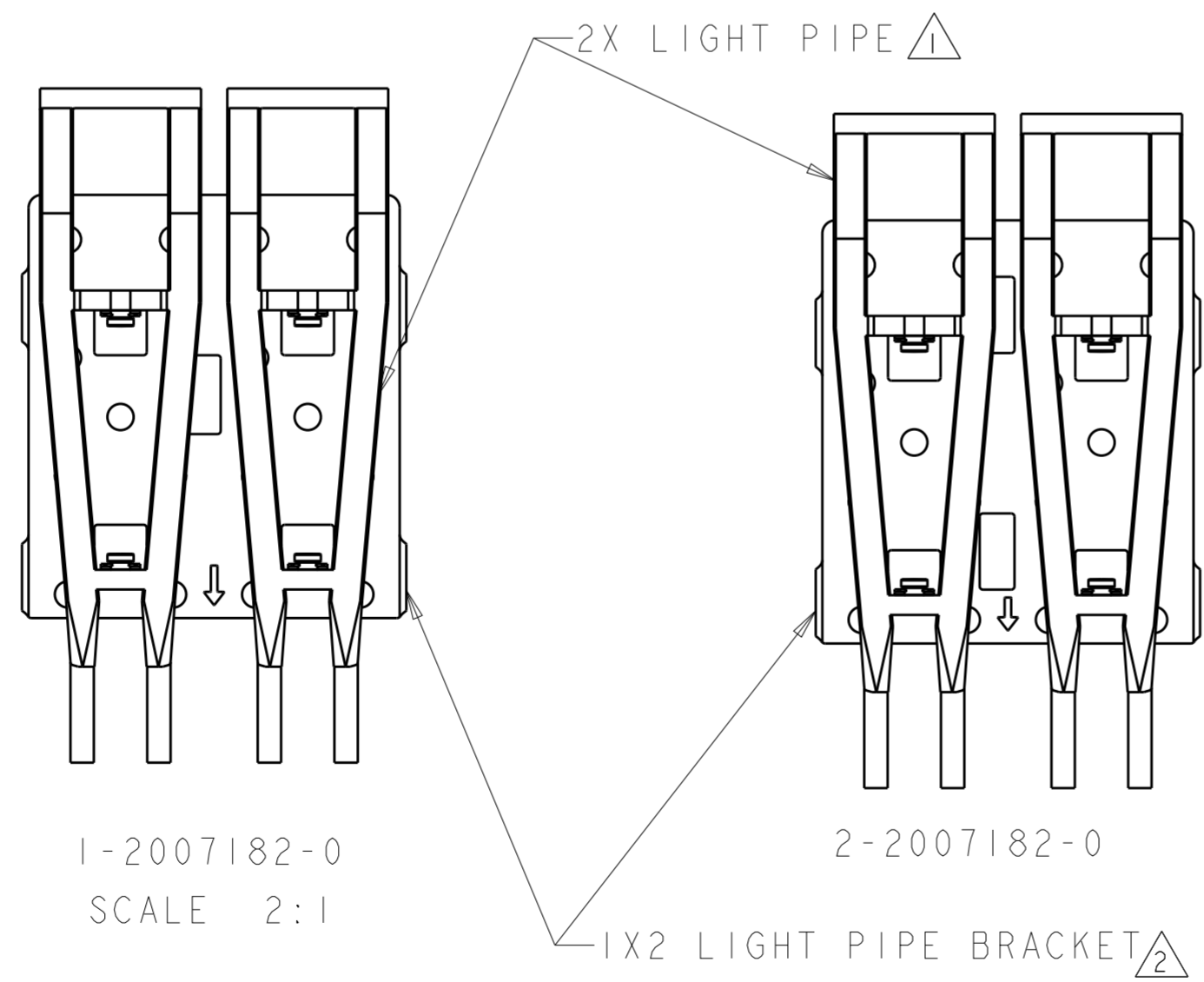
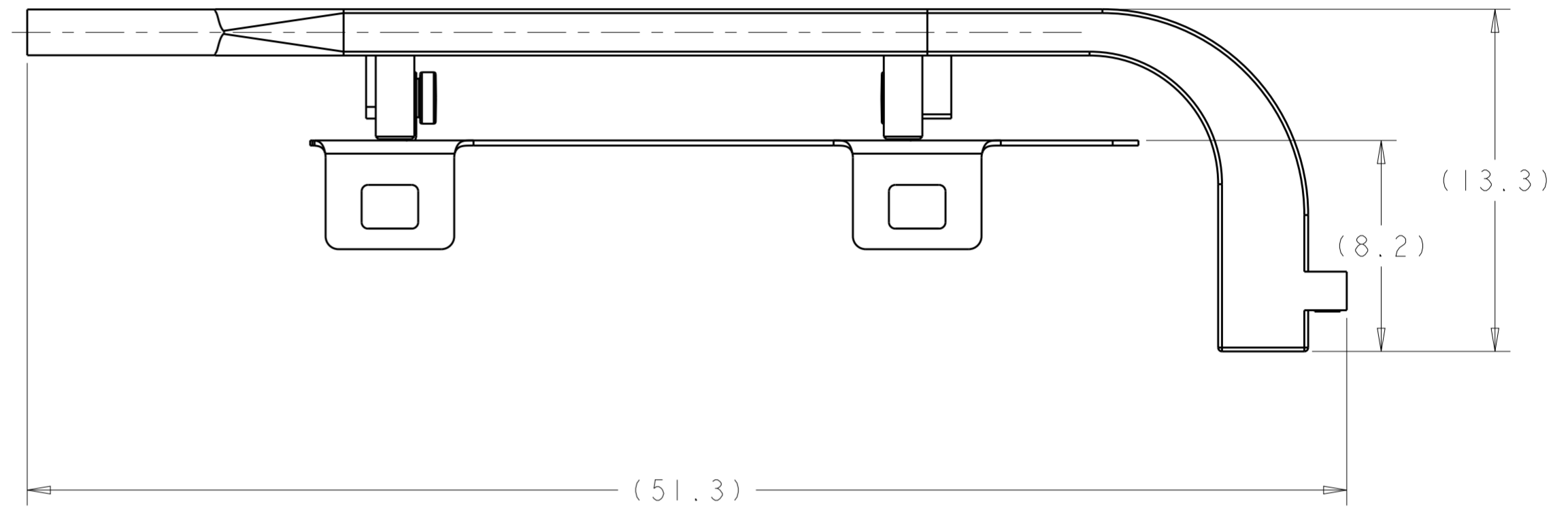
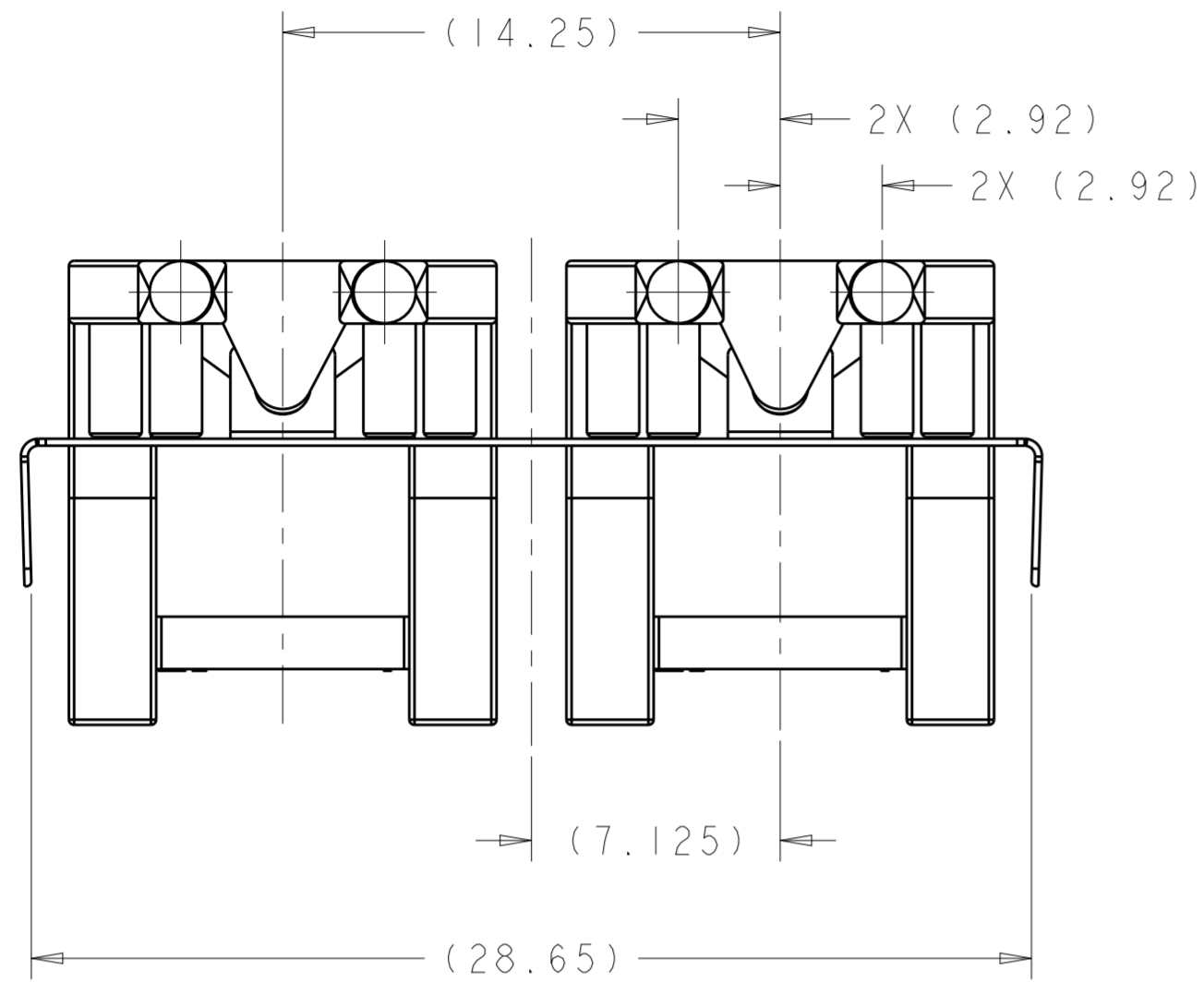


APPLIED TO zSFP+	1-2007182-4
APPLIED TO SFP+	2007182-4
REMARK	PART NUMBER

THIS DRAWING IS A CONTROLLED DOCUMENT.		DWN M. E. COWHER 14 JUN 2007	TE Connectivity	
DIMENSIONS: mm		CHK M. J. PHILLIPS 14 JUN 2007		
TOLERANCES UNLESS OTHERWISE SPECIFIED:		APVD M. J. PHILLIPS 14 JUN 2007		
0 PLC ± 1 PLC ± 2 PLC ± 3 PLC ± 4 PLC ± ANGLES ± FINISH -		PRODUCT SPEC 108-2364 APPLICATION SPEC - WEIGHT -		
MATERIAL		Customer Drawing	NAME 1X2 LIGHT PIPE ASSEMBLY, SFP+	RESTRICTED TO -
		SCALE 5:1	SIZE A2 CAGE CODE C-2007182	SHEET 4 OF 5
				REV A2

THIS DRAWING IS UNPUBLISHED. RELEASED FOR PUBLICATION 20
 © COPYRIGHT 20 BY - ALL RIGHTS RESERVED.

REVISIONS				
P	LTR	DESCRIPTION	DATE	APVD
-		SEE SHEET 1	-	-



APPLIED TO zSFP+	2-2007182-0
APPLIED TO SFP+	1-2007182-0
REMARK	PART NUMBER

THIS DRAWING IS A CONTROLLED DOCUMENT.		DWN M.E.COWHER 14 JUN 2007
DIMENSIONS: mm		CHK M.J.PHILLIPS 14 JUN 2007
TOLERANCES UNLESS OTHERWISE SPECIFIED:		APVD M.J.PHILLIPS 14 JUN 2007
0 PLC	±	PRODUCT SPEC
1 PLC	±	108-2364
2 PLC	±	APPLICATION SPEC
3 PLC	±	-
4 PLC	±	WEIGHT -
ANGLES	±	Customer Drawing
FINISH	-	SCALE 5:1
	-	SHEET 5 OF 5

STE TE Connectivity	
NAME 1X2 LIGHT PIPE ASSEMBLY, SFP+	
SIZE A2	CAGE CODE 00779
DRAWING NO C-2007182	RESTRICTED TO -
REV A2	