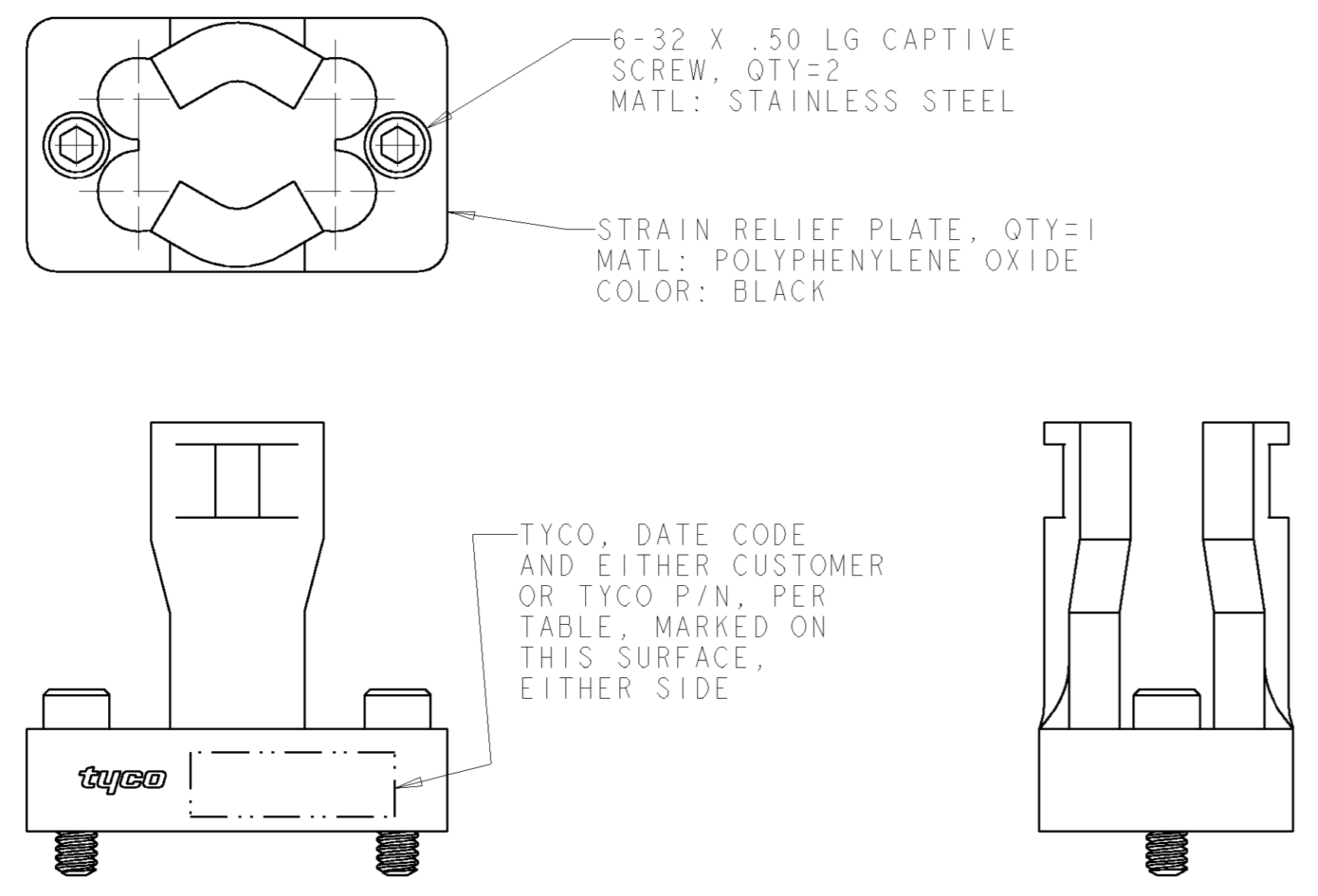
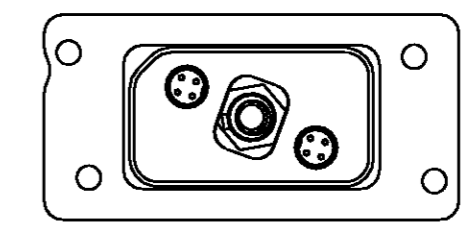
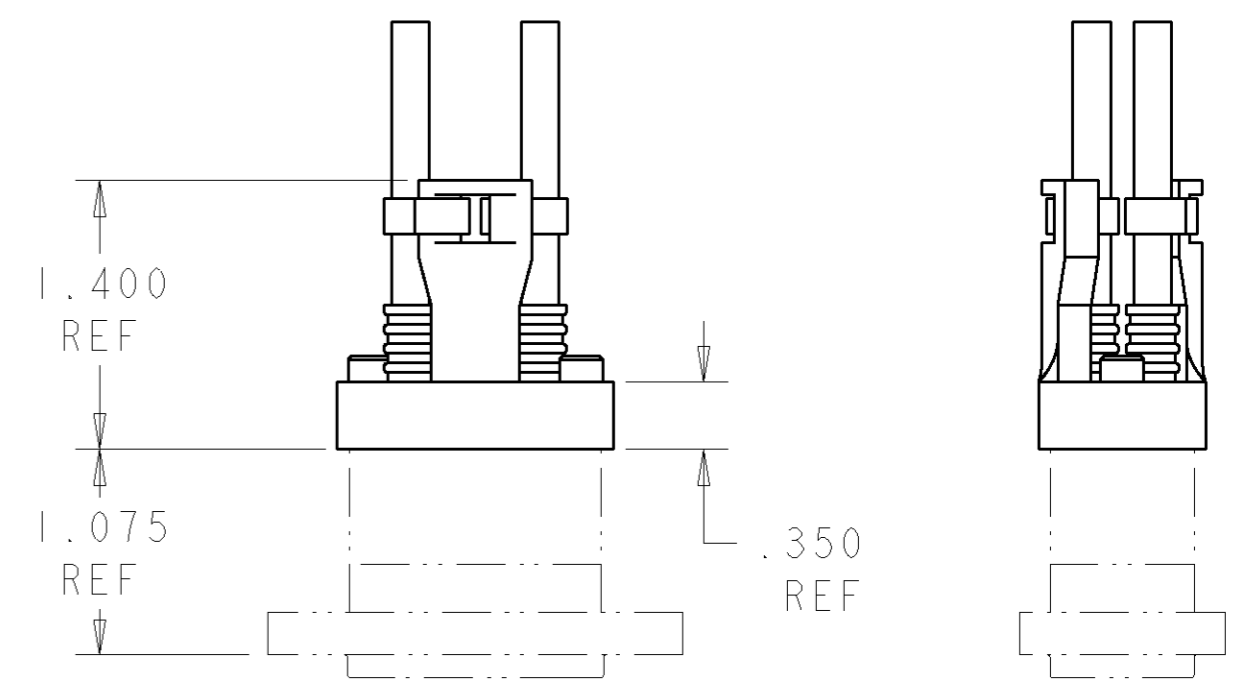
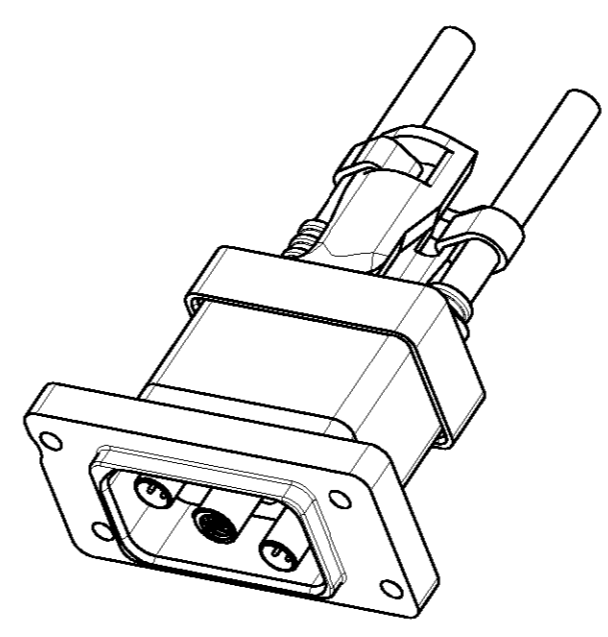
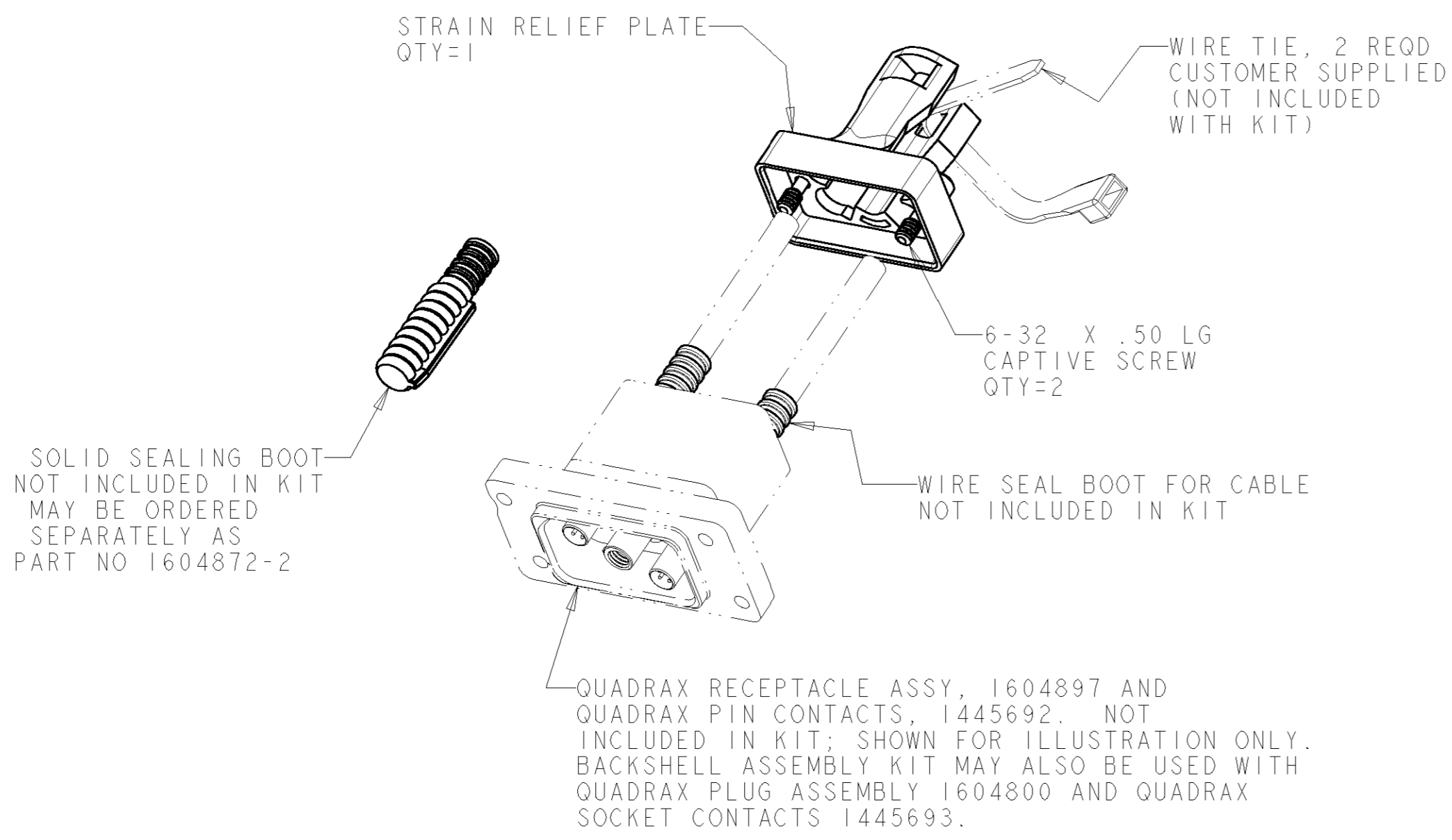


THIS DRAWING IS UNPUBLISHED. RELEASED FOR PUBLICATION 20
 © COPYRIGHT 20 BY TYCO ELECTRONICS CORPORATION. ALL RIGHTS RESERVED.

| LOC | DIST | REVISIONS | | | | | |
|-----|------|-----------|-----|---------------------------|---------|-----|------|
| DF | A5 | P | LTR | DESCRIPTION | DATE | DWN | APVD |
| | | 0 | | RELEASED PER 0H14-0311-05 | 02MAY05 | BW | RW |



1604905-1 AND -2 KIT

| | | | |
|---------------------------|-------------------------|--------------------------------------|------------------|
| BACC10MD1 | --- | RECEPTACLE 1604897 -OR- PLUG 1604898 | 1604905-2 |
| --- | 1604905-1 | RECEPTACLE 1604897 -OR- PLUG 1604898 | 1604905-1 |
| MARKED BOEING PART NUMBER | MARKED TYCO PART NUMBER | USED ON | ASSEMBLY PART NO |

THIS DRAWING IS A CONTROLLED DOCUMENT FOR TYCO ELECTRONICS CORPORATION IT IS SUBJECT TO CHANGE AND THE CONTROLLING ENGINEERING ORGANIZATION SHOULD BE CONTACTED FOR THE LATEST REVISION.

DWN: B. H. 10JUN03
 CHK: W. H. BERNHART 10JUN03
 APVD: W. H. BERNHART 10JUN03

tyco Tyco Electronics
 Harrisburg, PA 17105-3608

NAME: KIT, BACKSHELL, QUADRAX, 2 POSN

SIZE: A2 CAGE CODE: 00779 DRAWING NO: 1604905 RESTRICTED TO: -

SCALE: 2:1 SHEET: 1 OF 1 REV: 0

CUSTOMER DRAWING