

PART NAME: KNOB

SCALE: 1:1

DATE: 4/14/92

DR. BY HD



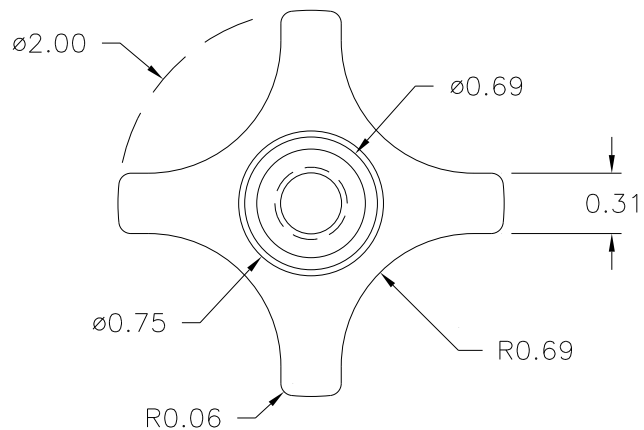
DESIGNERS & MANUFACTURERS OF KNOBS, HANDLES, CASES & CUSTOM PLASTIC COMPONENTS

P/N 2830BJ

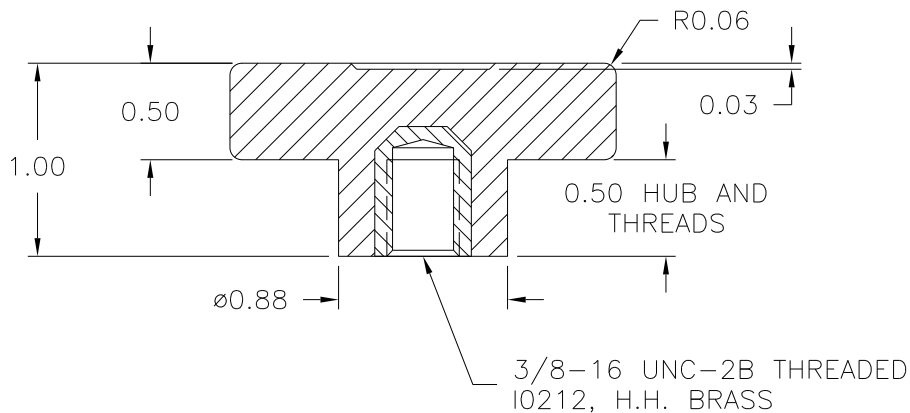
BASE PART 2830-02

THIS DRAWING IS THE PROPERTY OF DAVIES MOLDING COMPANY, IS SUBMITTED SOLELY AS A DESIGN OR ENGINEERING PROJECT. WE ACCEPT NO RESPONSIBILITY WHATSOEVER FOR THE PRACTICAL APPLICATION OF THE PIECES MADE TO THIS DESIGN.

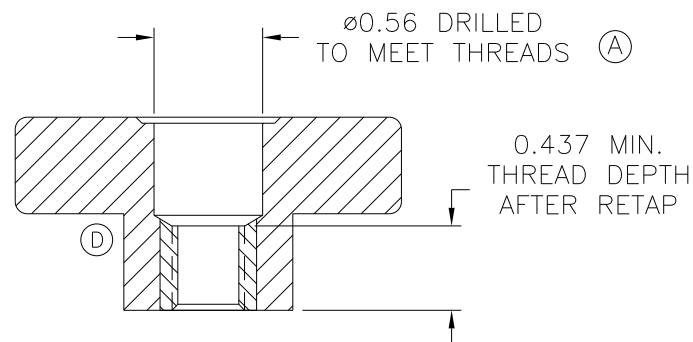
(C)



(B)



AFTER FINISHING



MATERIAL: #4311 PLENCO PHENOLIC (B41)
COLOR: BLACK

TOLERANCES:
UNLESS OTHERWISE SPECIFIED

DO NOT SCALE
DRAWING

DECIMALS: X.XXX ± .005
 X.XX ± .015

MM: X.XX ± 0.15MM
 X.X ± 0.4MM

FRACTIONS ± 1/64

ANG. ± 1°

D	UPDATED DRILL DETAIL	JAM	1/16/15
C	ADDED BASE PART	JAM	4/24/13
B	SHIM WAS .012	ST	5/14/01
-	REDRAWN	TL	11/19/99
A	WAS 14 MM DRILL	HD	10/6/92

CHANGES