

- ① NOTE ① LEAD CO-PLANARITY OF SIGNAL CONTACT TO BE 0.1 IN THE -0.1 TO +0.05 RANGE FROM PCB MOUNTING SURFACE.
- ② ASSEMBLY TOOL MARKS INDICATED IN THE FIGURE WILL NOT AFFECT PERFORMANCE.
- ③ THIS PRODUCT SHALL BE MATED WITH A UNIT 'DH3\*\*37S' WHICH ASSEMBLED TO A COVER CASE 'DH-37-CT\*\*'. AN ASSEMBLY OF THE UNIT NEEDS A CLAMP 'DH-37-CM\*(\*\*\*)'.
- ④ INSTALLATION WITH THE PANEL MUST USE A DEDICATED SCREW.  
PURCHASE : ①HRS PART No. 「DH60A-SCREW」  
CL No. 「CL244-0042-1」  
②NITTOSEIKO CO., LTD. 「FINE PAN HEAD MACHINE SCREW 2 TYPES」

NO.	MATERIAL	FINISH . REMARKS	NO.	MATERIAL	FINISH . REMARKS
3	POLYAMIDE	UL94V-0 BLACK	6	BRASS	OVER PLATING : TIN 1μm MIN. UNDER PLATING : NICKEL 1μm MIN.
2	PHOSPHOR BRONZE	CONTACT AREA : GOLD 0.2μm MIN. LEAD AREA : GOLD 0.03μm MIN. UNDER PLATING : NICKEL 1μm MIN.	5	STEEL	OVER PLATING : NICKEL 3μm MIN. UNDER PLATING : COPPER 3μm MIN.
1			4	STAINLESS STEEL	OVER PLATING : TIN 1μm MIN. UNDER PLATING : NICKEL 1μm MIN.

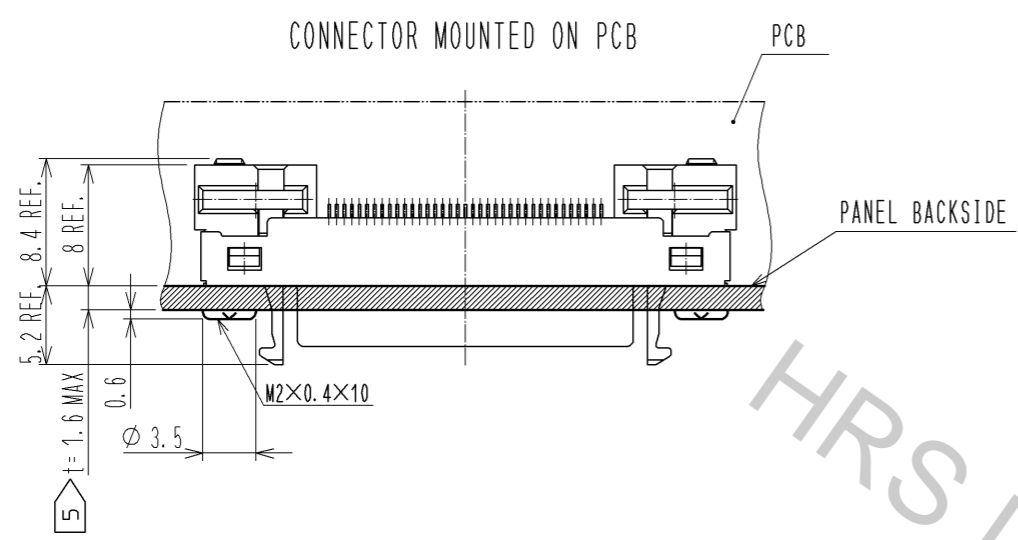
  

UNITS	SCALE	COUNT	DESCRIPTION OF REVISIONS	DESIGNED	CHECKED	DATE
mm	4 : 1	1	DIS-E-003061	TM. ONO	KN. ICHIKAWA	09.12.14

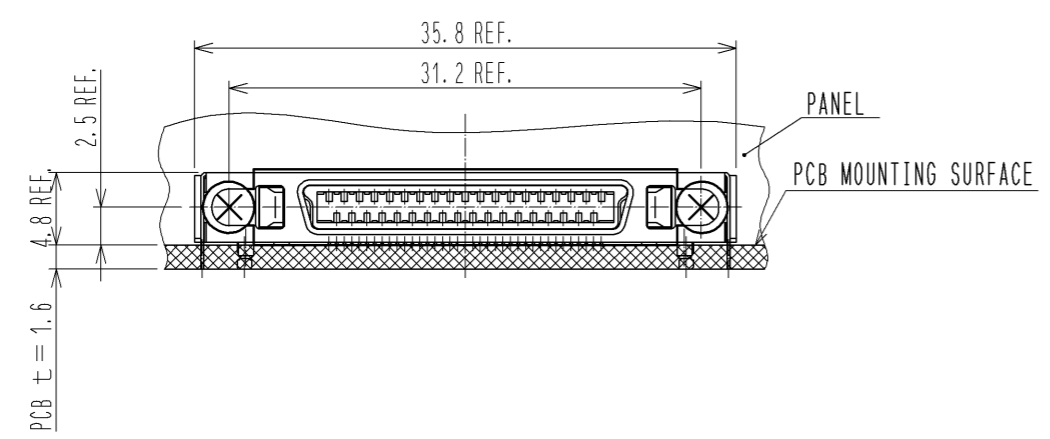
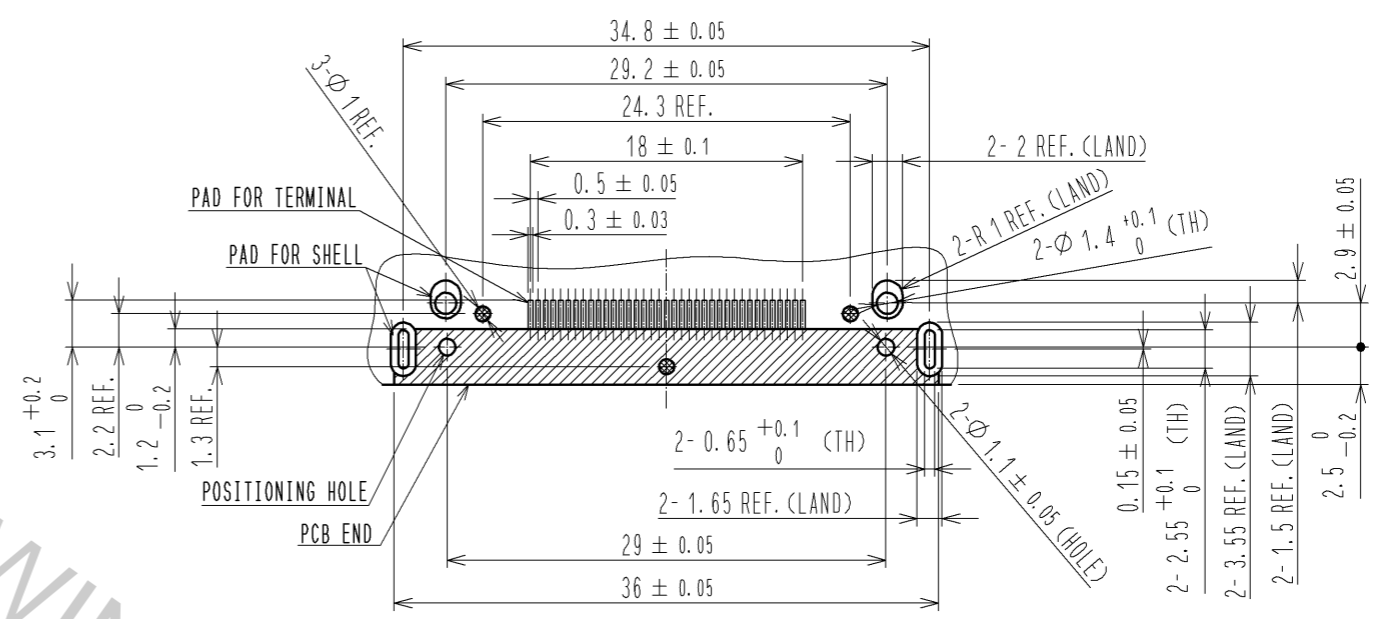
  

APPROVED	CHECKED	DESIGNED	DRAWN	DRAWING NO.	PART NO.	CODE NO.
A0. SUZUKI	KN. ICHIKAWA	MO. SHIMOYAMA	MO. SHIMOYAMA	EDC3-126853-00	DH60A-37P	CL244-0040-6-00
09.04.28	09.04.28	09.04.28	09.04.28			

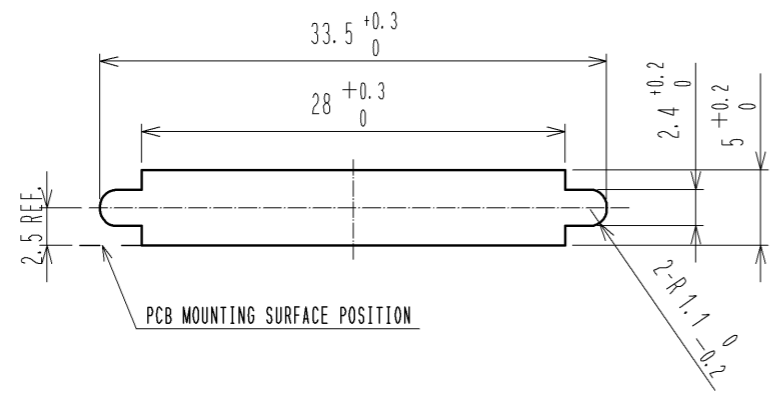
Apr.1.2017 Copyright 2017 HIROSE ELECTRIC CO., LTD. All Rights Reserved.



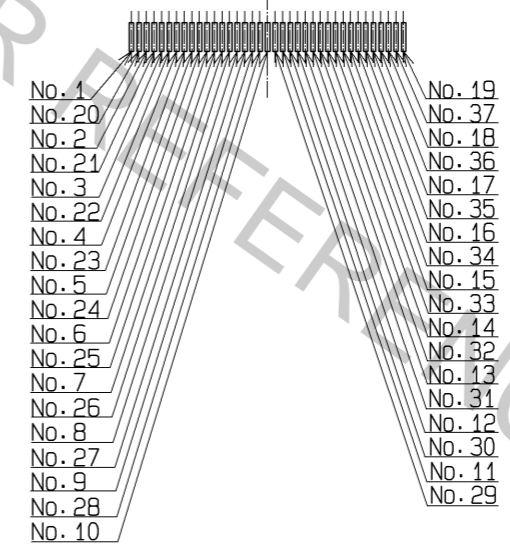
PCB LAYOUT FOR REFERENCE (MOUNTING SURFACE SIDE)



PANEL CUTOUT FOR REFERENCE  
(THE DIMENSION IS SPECIFIED BASED ON THE CENTER OF THE CONNECTOR INTERFACE)



TERMINAL No. CHART

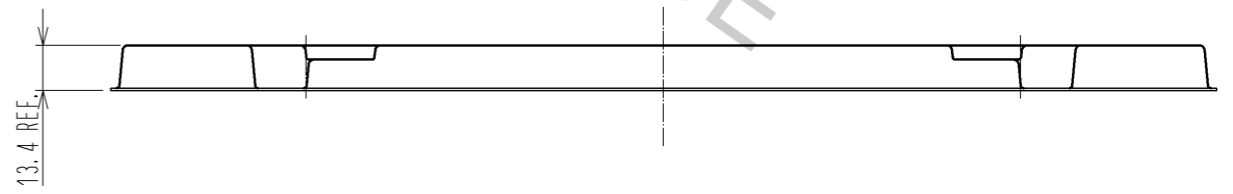
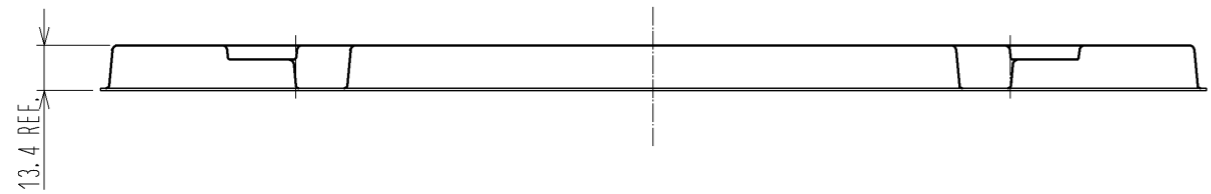
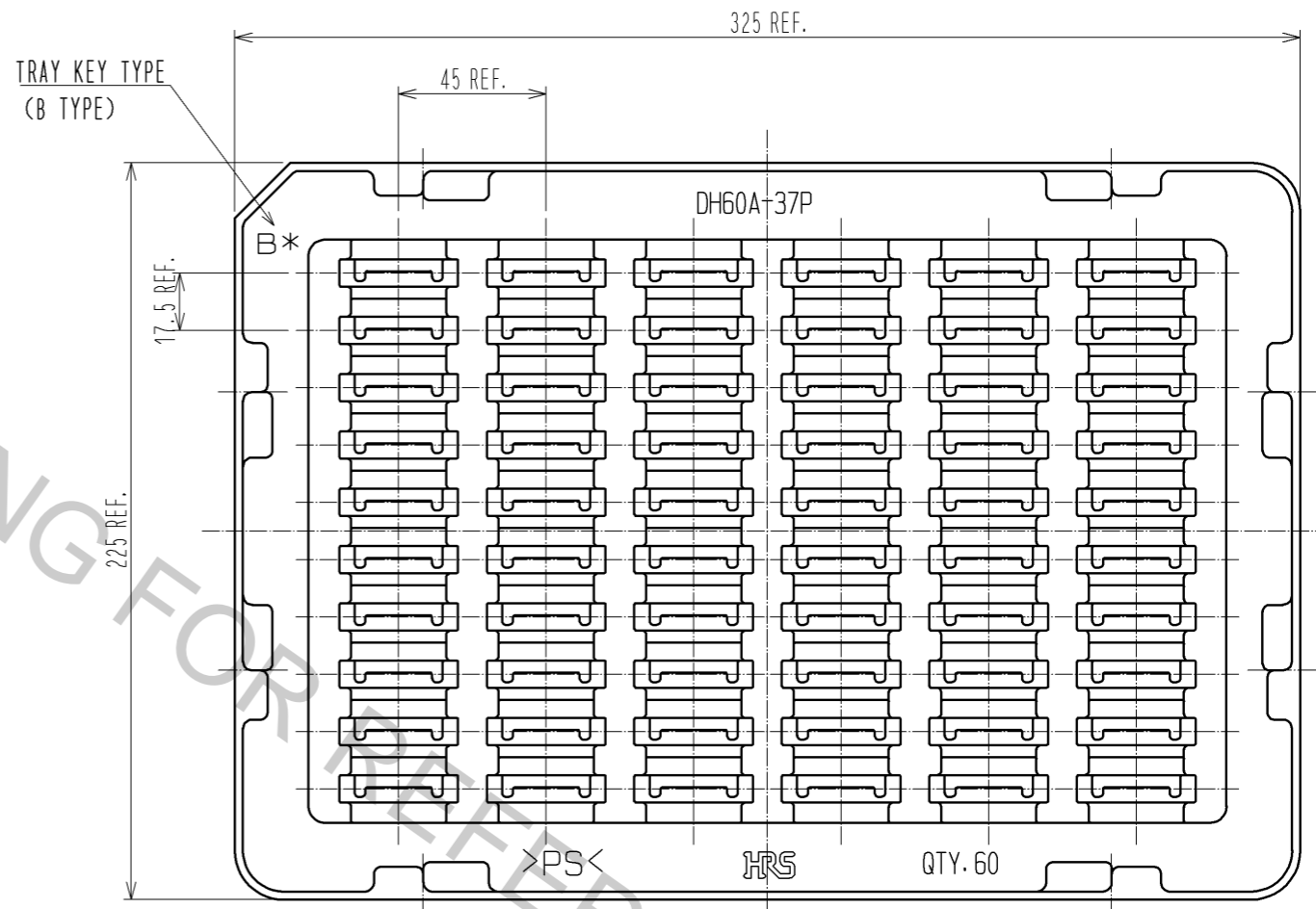
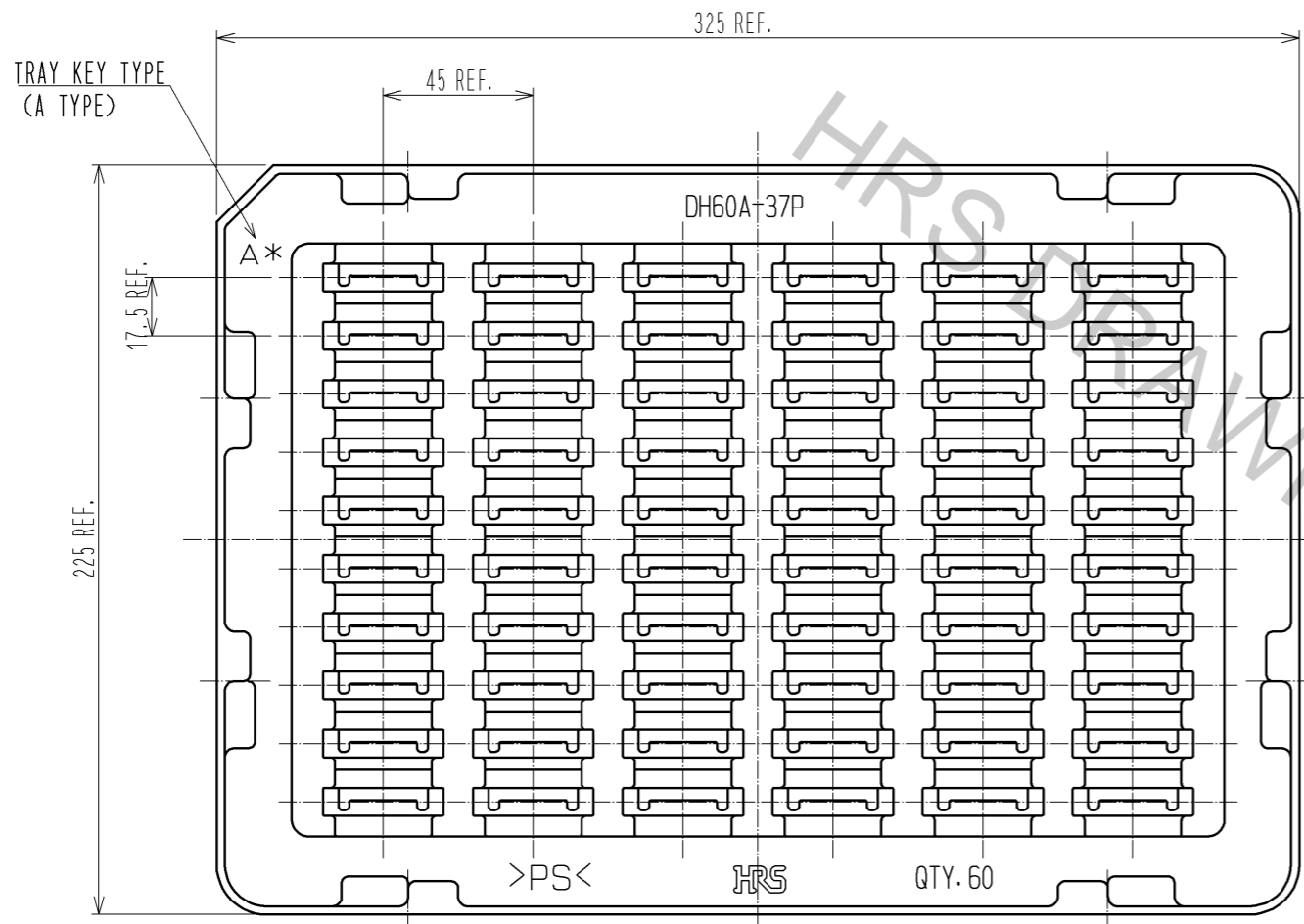


▨ : PATTERN PROHIBITION AREA  
▩ : REFERENCE PLANE POSITION

NOTE 5 PANEL THICKNESS IS 1.6mm MAX.

<b>HRS</b>	DRAWING NO.	EDC3-126853-00
	PART NO.	DH60A-37P
	CODE NO.	CL244-0040-6-00
		2/3

DRAWING FOR PACKING(FREE)



※TRAYS, A TYPE AND B TYPE, ARE PILED UP ALTERNATELY.

<b>HRS</b>	DRAWING NO.	EDC3-126853-00
	PART NO.	DH60A-37P
	CODE NO.	CL244-0040-6-00
		3/3