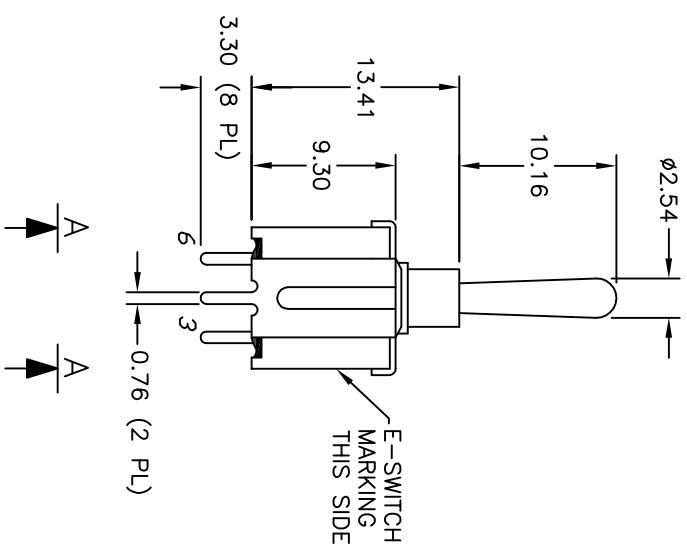
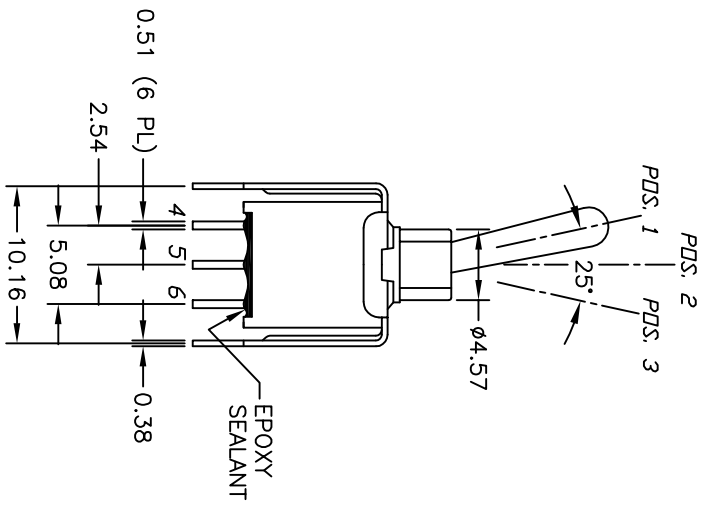
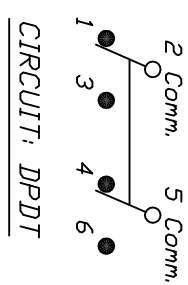


VIEW A-A
BRACKET NOT SHOWN



SWITCH FUNCTION		
PDS. 1	PDS. 2	PDS. 3
DN	NONE	DN
2-3, 5-6	DPEN	2-1, 5-4

CONTACT CONFIGURATION



NOTES:

1. ALL DIMENSIONS IN MM
2. GENERAL TOLERANCE: 0.0±0.4
0.00±0.25
3. TERMINAL NUMBERS FOR REF ONLY
4. RATING: 3 AMPS @ 120VAC OR 28VDC;
1 AMP @ 250VAC
5. ELECTRIC LIFE: 50,000 make-and-break cycles
at full load.
6. INSULATION RESISTANCE: 1,000 Mega-ohm min.
7. DIELECTRIC STRENGTH: 1,000 V RMS @sea level.
8. OPERATING TEMP.: -30°C to 85°C



200A WMDP1 T1 A1 VS2 Q

REV.	ECN No.	DESCRIPTION	DATE	CHKD
A	10703	RELEASED FOR PRODUCTION	6/27/00	GLG

SCALE	DATE	DR	DWG	REV
2:1	6/27/00	GLG	T201228	A

THE INFORMATION CONTAINED IN THIS DOCUMENT IS PROPRIETARY TO E-SWITCH AND IS NOT TO BE COPIED OR TRANSFERRED