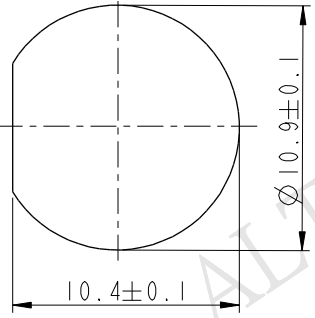
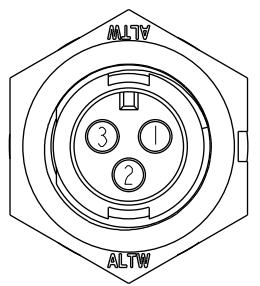
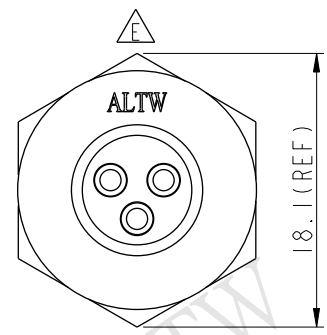
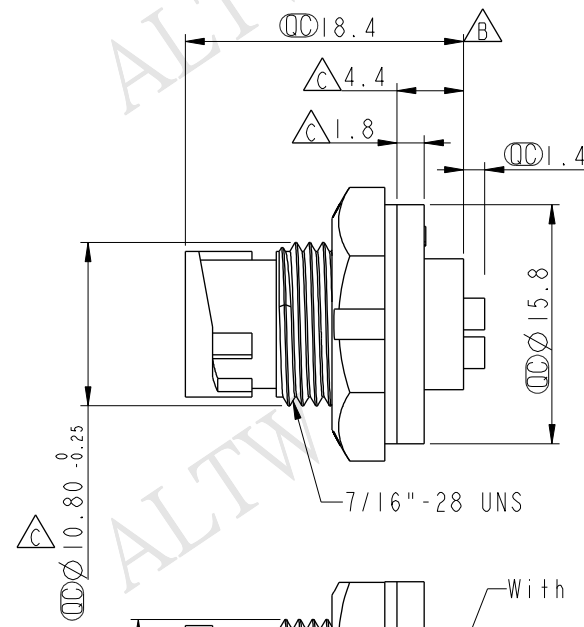
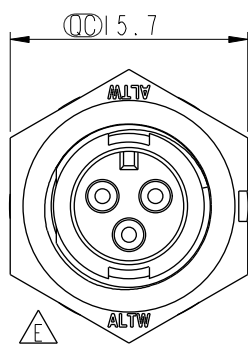


THIS DOCUMENT IS SUBJECT TO CHANGE WITHOUT NOTICE. IT IS CONFIDENTIAL AND A PROPERTY OF Amphenol LTW. DISCLOSURE TO THIRD PARTY HAS TO BE AUTHORIZED BY Amphenol LTW.

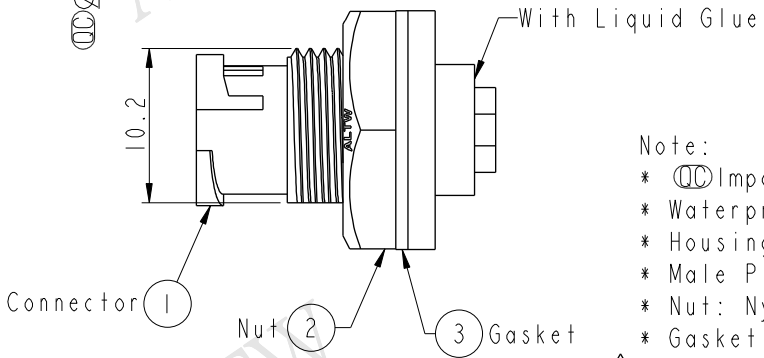
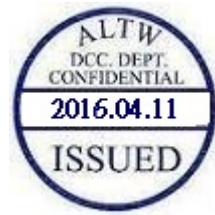
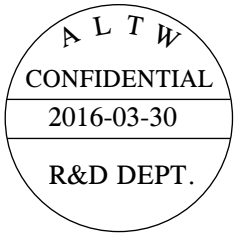
| REV. | ECN NO. | DATE | SIGN | DESCRIPTION |
|------|------------|------------|----------------|--|
| C | LEN-750114 | 2007/04/23 | A.F. Valentino | Changed Precision Of Dimensions And Revision Description From 18.00 To 18.40 |
| D | LEN-8A0136 | 2008/09/10 | Shin | Add Note |
| E | LEN1640069 | 2016/03/30 | Vicky | Update Logo |



Recommended Panel Cut-Out



Pin Assignments Front View



- Note:
- * ⌀ Important Dimension
 - * Waterproof Rate: IP67
 - * Housing: Nylon+GF, Black
 - * Male Pin: Copper Alloy, Gold Plated
 - * Nut: Nylon+GF, Black
 - * Gasket: EPDM, Black
 - \triangle * Use with waterproof cap or dust cap
Panel thickness max: 2.5mm
 - \triangle * Use without waterproof cap or dust cap
Panel thickness max: 3.5mm

| | |
|-----------|-------|
| UNIT:mm | |
| TOLERANCE | |
| .X | ±0.25 |
| .XX | ±0.1 |
| .XXX | ±0.05 |
| ANGLES | ±1° |

| | | | |
|---|----------------|------------------------------|--|
| TITLE Mini Panel Lock 3Pin M Conn. M Pin | | | |
| SCALE 2:1 | SIZE A4 | SHEET 1 OF 1 | |
| REV. E | WC-REV. A.1 | ⌀ : Inspection item | |

Amphenol LTW
安費諾亮泰企業股份有限公司

| | | |
|-----------------------------|---------------------|--------------------|
| ITEM NO AD-03PMMS-LC7001 | DRAWN BY Vicky | DATE 2016-03-30 |
| DWG NO AD-03PMMS-LC7001 | CHECKED BY Rita | DATE 2016-03-30 |
| CUSTOMER ALTW | APPROVED BY Lisa | DATE 2016-03-30 |