

Park position - EV-GBAC-PARK - 1624142

Please be informed that the data shown in this PDF Document is generated from our Online Catalog. Please find the complete data in the user's documentation. Our General Terms of Use for Downloads are valid (<http://phoenixcontact.com/download>)



Retainer for Vehicle Connector as parking position at charging stations (EVSE), GB/T, GB/T 20234.2, Front mounting


Product Description

Retainer for Vehicle Connector as parking position at charging stations for E-Mobility (EVSE)

Why buy this product

Certified in accordance with IATF 16949:2016 and ISO 9001:2015

Key Commercial Data

Packing unit	1 STK
GTIN	 4 055626 241586
GTIN	4055626241586

Technical data

Product definition

Product type	Retainer for Vehicle Connector as parking position at charging stations (EVSE)
Standards/regulations	GB/T 20234.2
Charging standard	GB/T
Charging mode	Mode 3

Dimensions

Height	76.6 mm
Width	76.6 mm
Depth	40 mm
Bore dimensions	60 mm x 60 mm

Ambient conditions

Ambient temperature (operation)	-30 °C ... 50 °C
Ambient temperature (storage/transport)	-40 °C ... 80 °C

Park position - EV-GBAC-PARK - 1624142

Technical data

Ambient conditions

Degree of protection	IP54
----------------------	------

Mechanical properties

Vehicle Connector fixing	With actuation lever
Removal of the Vehicle Connector	Lever actuation and removal
Detection of the Vehicle Connector	On request

Mounting

Possible mounting positions	Front mounting
Restrictions to mounting position	Only 0 to 45 degree frontal inclination possible, see figure
Mounting hole diameter	7.00 mm (Hexagonal fixing)

Design

Housing color	black
Customer variations	On request

Material

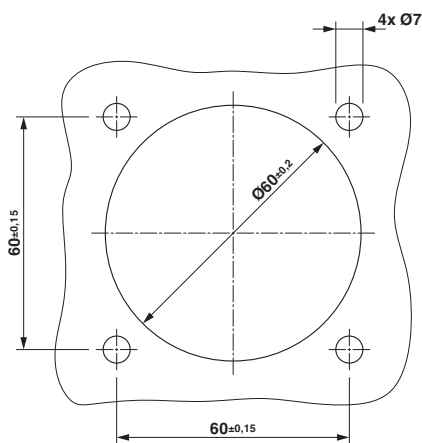
Material	Plastic
Flammability rating	V0

Environmental Product Compliance

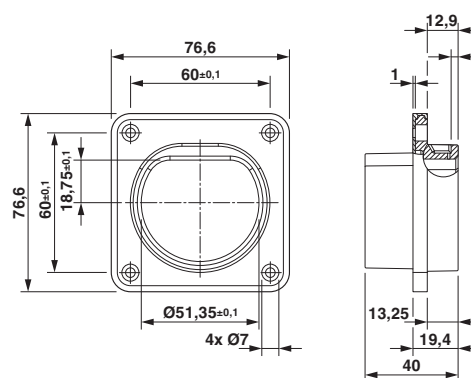
China RoHS	Environmentally friendly use period: unlimited = EFUP-e
	No hazardous substances above threshold values

Drawings

Drilling diagram



Dimensional drawing



Dimensional drawing

Hole image

Phoenix Contact 2018 © - all rights reserved
<http://www.phoenixcontact.com>

PHOENIX CONTACT GmbH & Co. KG
Flachmarktstr. 8
32825 Blomberg
Germany
Tel. +49 5235 300
Fax +49 5235 3 41200
<http://www.phoenixcontact.com>