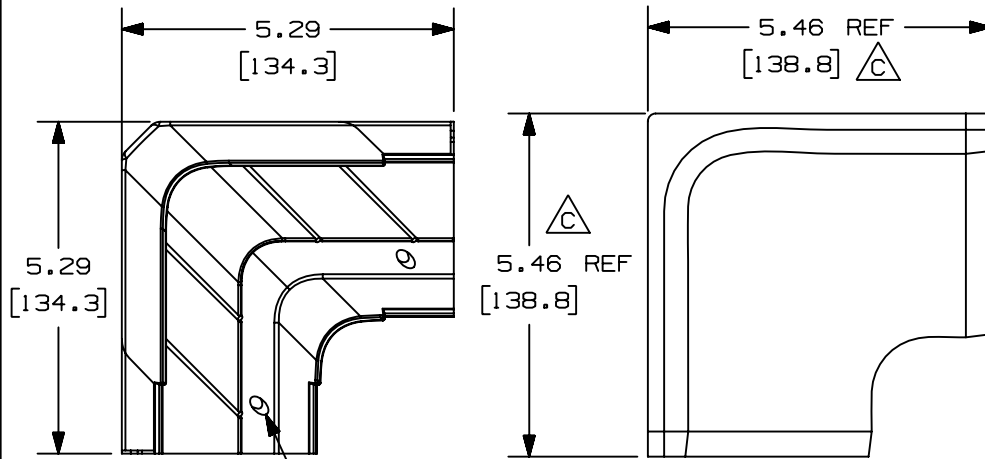


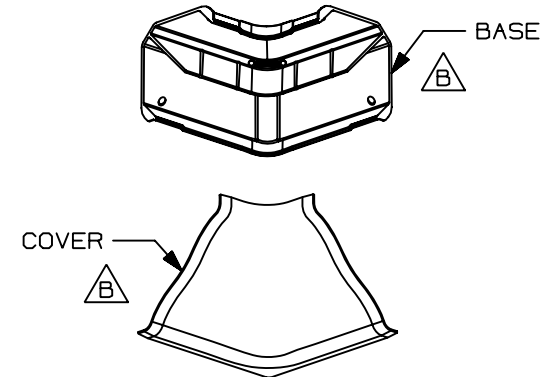
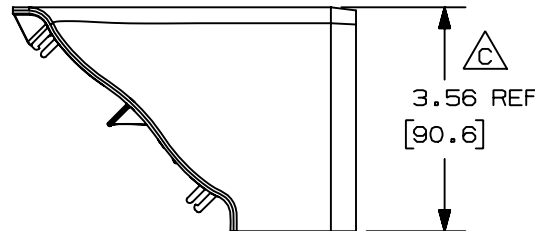
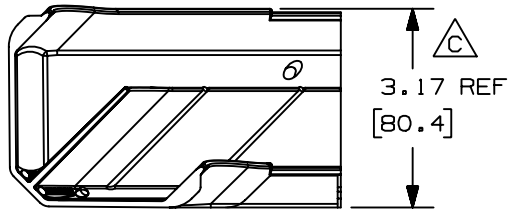
THIS COPY IS PROVIDED ON A RESTRICTED BASIS AND IS NOT TO BE USED IN ANY WAY DETRIMENTAL TO THE INTERESTS OF PANDUIT CORP.



PANDUIT PART NO.	WEIGHT
WCM35IC	.52 LBS (235.9 G)

- NOTES:
- SEE CURRENT CATALOG FOR ADDITIONAL PART NUMBER SUFFIXES TO INDICATE COLOR AND/OR PACKAGE QUANTITY.
  - THIS PRODUCT IS INTENDED TO BE USED WITH PANDUIT TYPE WCM35 RACEWAY.
  - THIS PRODUCT IS FEATURED WITH A 1" BEND RADIUS.
  - DIMENSIONS IN PARENTHESIS ARE IN METRIC.
  - NOMINAL WALL THICKNESS FOR BASE AND COVER IS .100" [2.54].

MOUNTING HOLES  
(4 PLACES)



**A** CAD FILENAME/LAYERS D37786CW\_DC\_WCM35IC\_01A.PRT

PANDUIT CORP. TINLEY PARK, ILLINOIS  
3.5 INCH COVE MOLDING  
INSIDE CORNER FITTING (WCM35IC)  
CUSTOMER DRAWING

2	10-01-03	JHEP	RMHI	C. ADDED REFERENCE DIMENSION B. REVISED GEOMETRY	37786-17	RGRO	RGRO		UNLESS OTHERWISE SPECIFIED, DIMENSIONAL TOLERANCES ARE: (.X)± (.XXX) ±.015 (.38) (.XX)±.03 (.8) ANGLES ±	UNLESS OTHERWISE SPECIFIED, ALL DIMENSIONS ARE GIVEN IN INCHES, THIRD ANGLE PROJECTION.	
-	-----	-----	-----	RELEASED TO PRODUCTION	-----	---	---				
1	11-13-02	JHEP	RMHI	A. REVISED PART DESCRIPTION	37786-17	RGRO	RGRO		DRAWN BY JBN	MAT'L: PVC	
R	04-09-02	JBN	BKR	DRAWING RELEASED					DATE 04-09-02	SCALE NONE	
REV	DATE	BY	CHK	DESCRIPTION	ECN	CHK	CUST	SUP	CHK'D BKR	DRAWING NO. 37786-17	DWG A SIZE