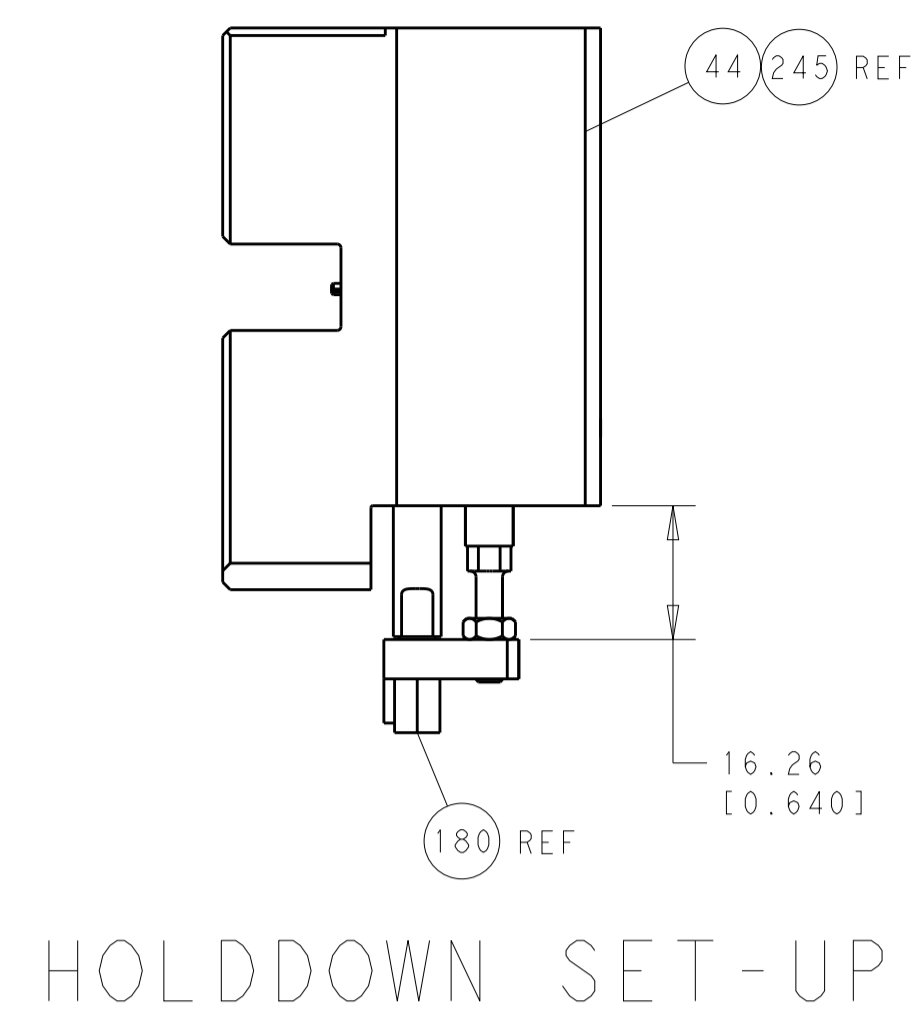
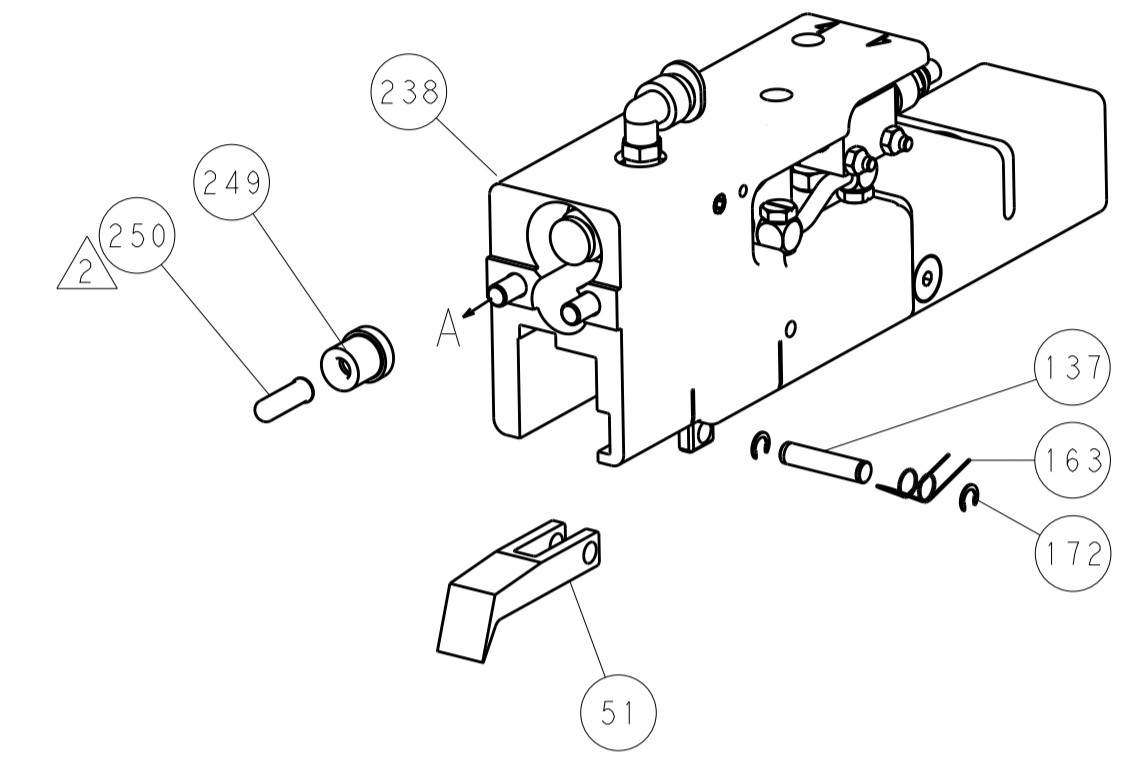


| LOC | | DIST | | REVISIONS | | | |
|-----|----|------|-----|-------------|------|-----|------|
| A | 66 | P | LTM | DESCRIPTION | DATE | OWN | APVD |
| - | - | - | - | SEE SHEET 1 | - | - | - |

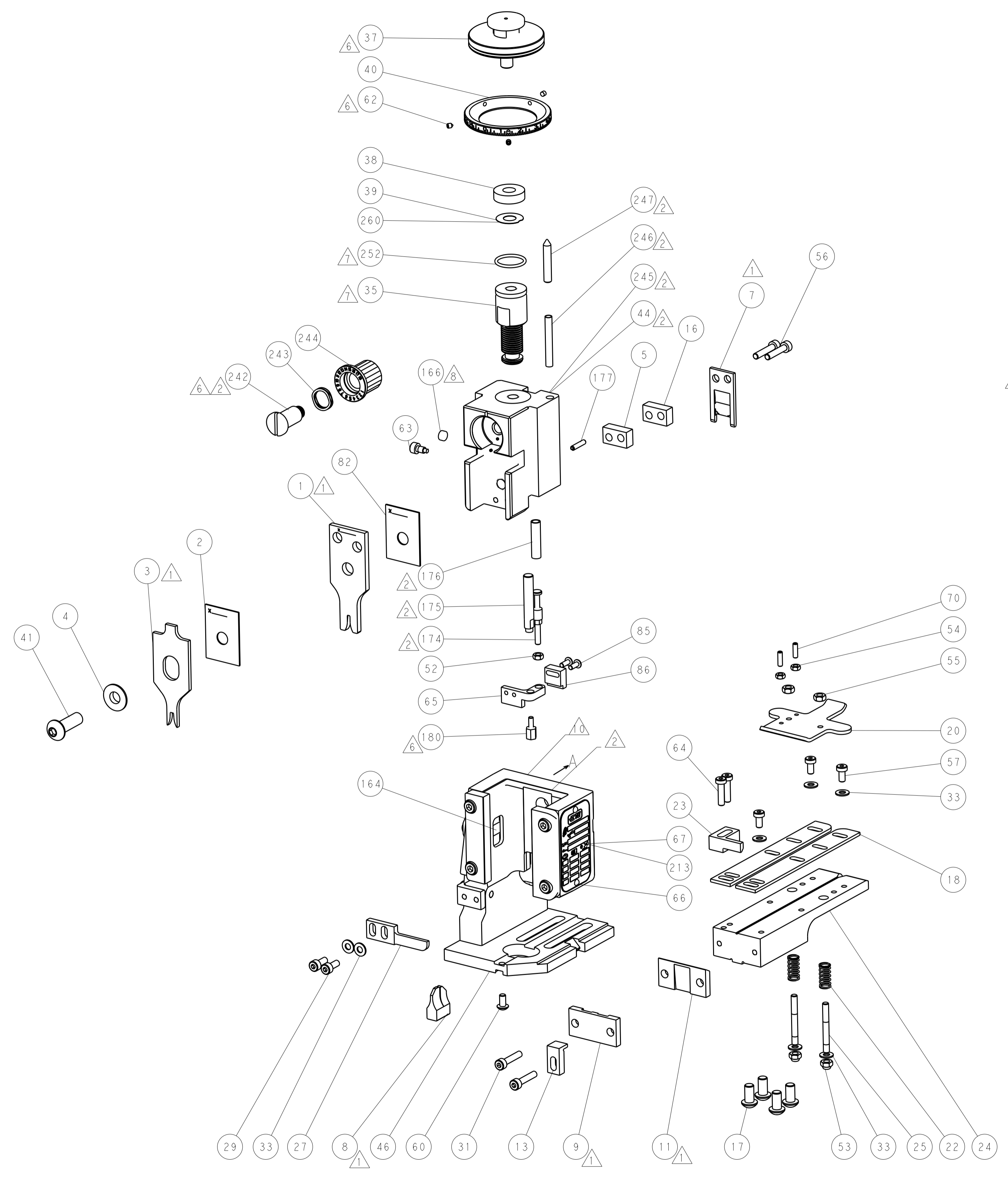
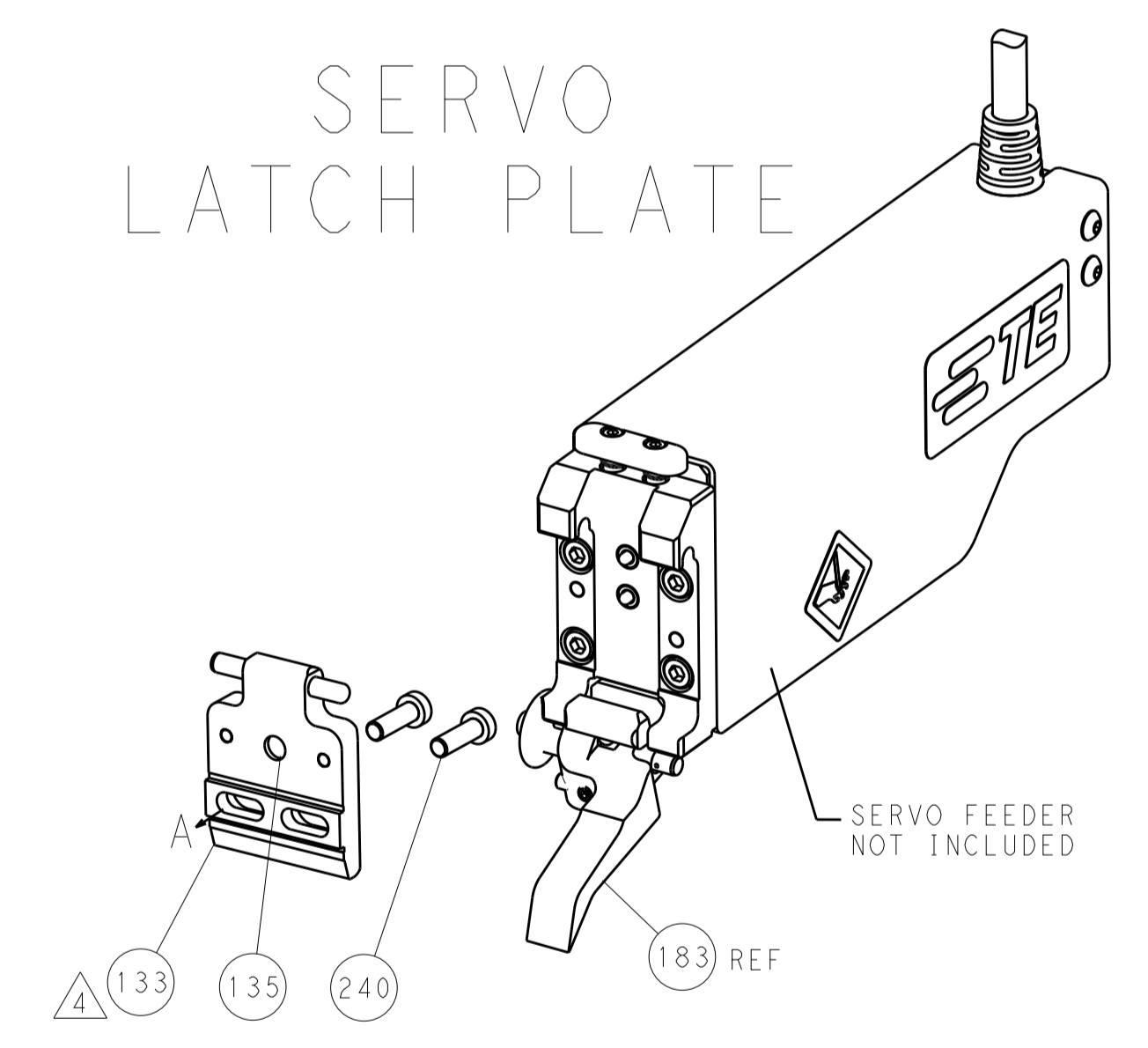


FEED TYPE

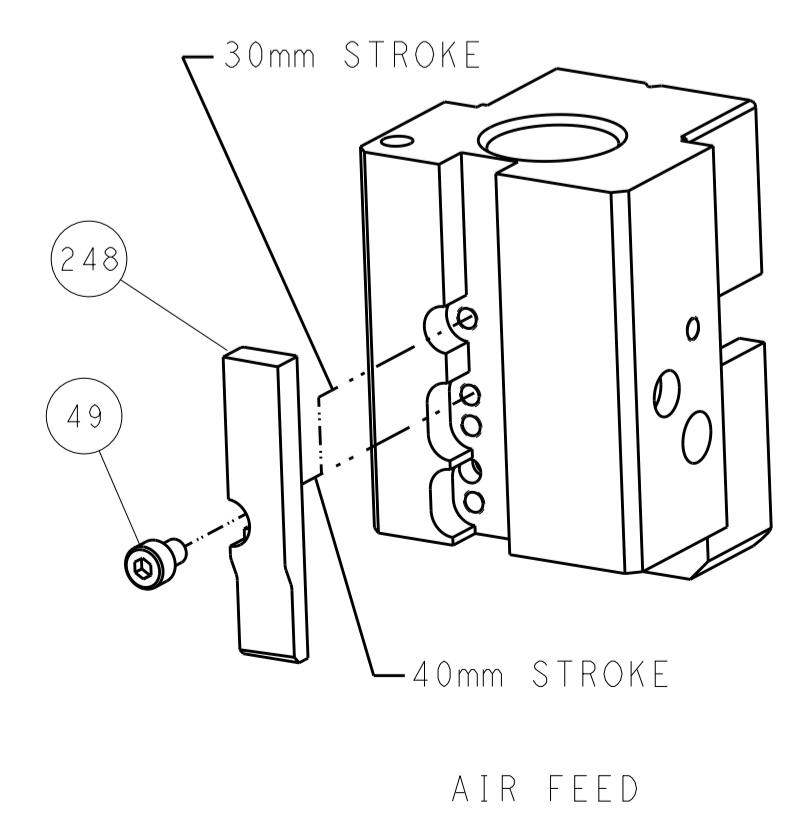
PNEUMATIC



SERVO LATCH PLATE



CAM POSITION

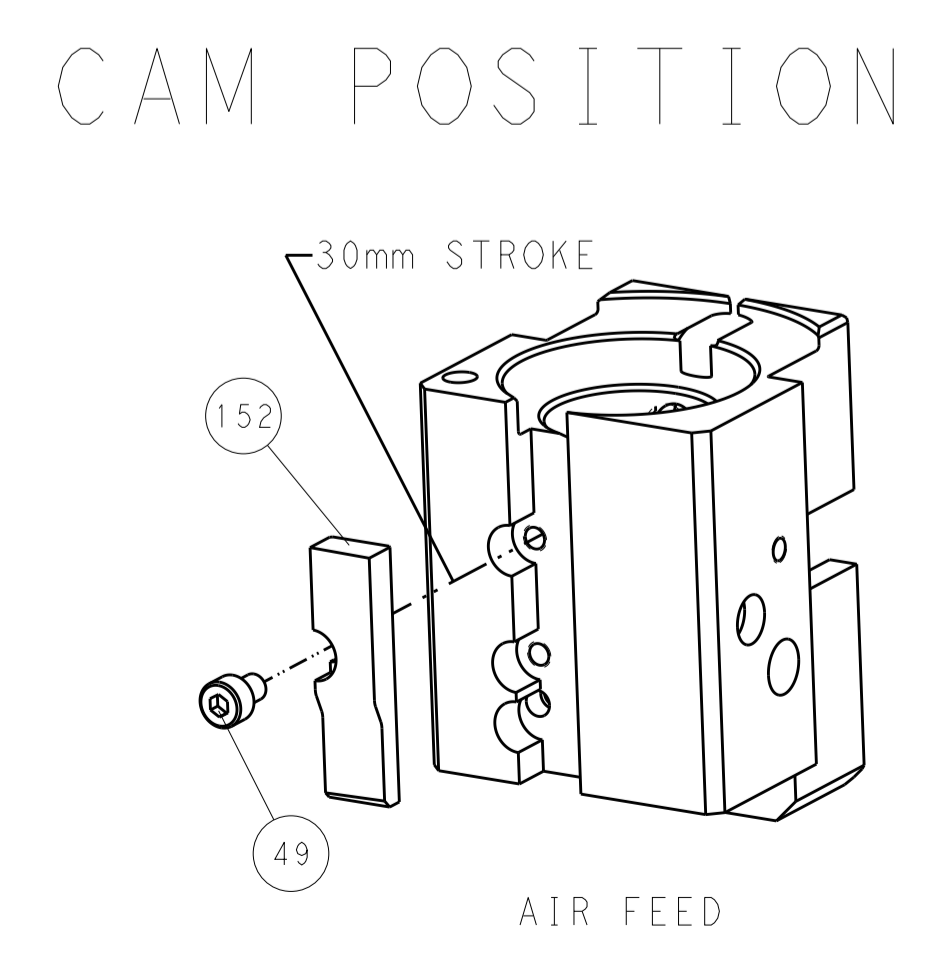
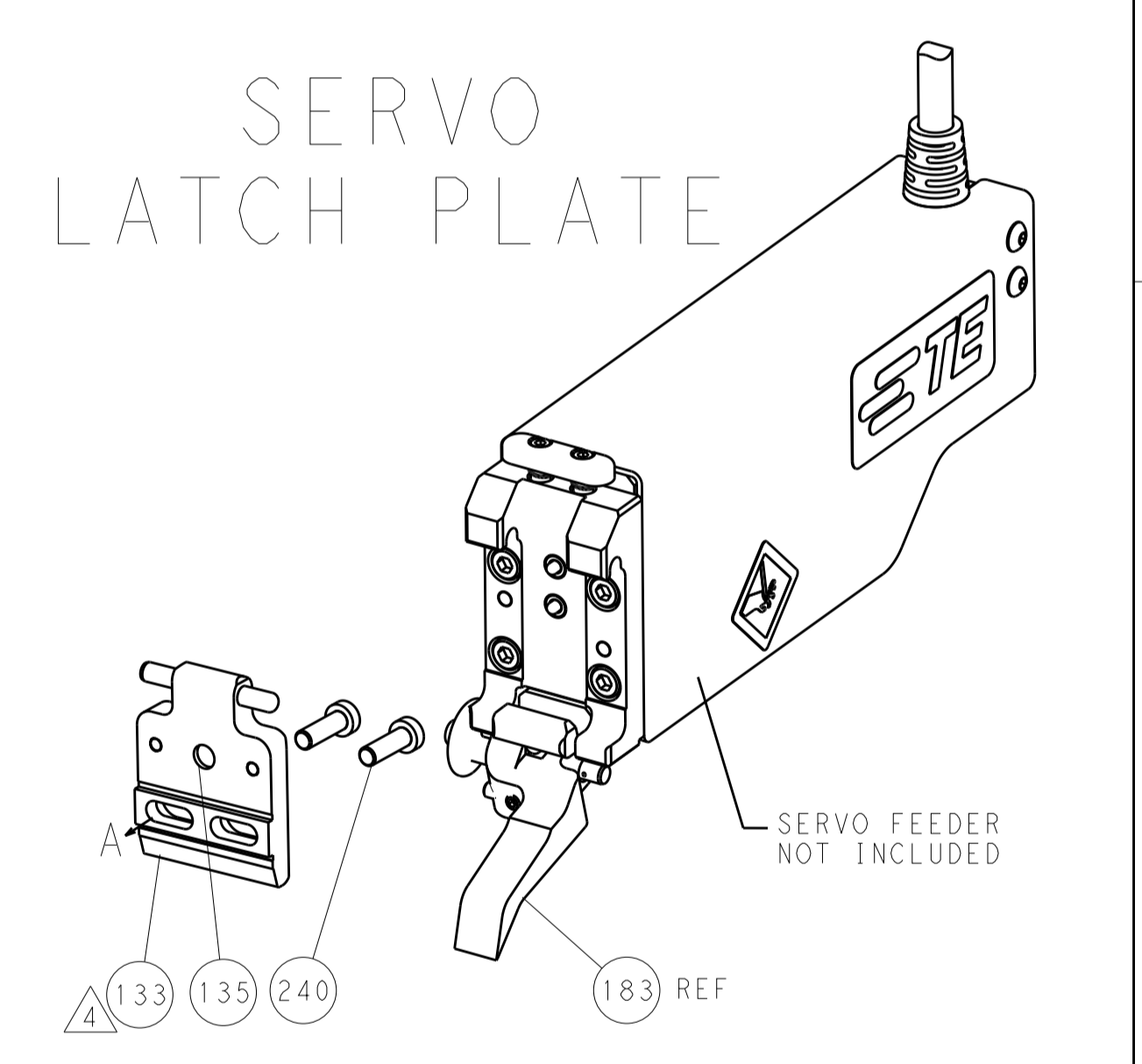
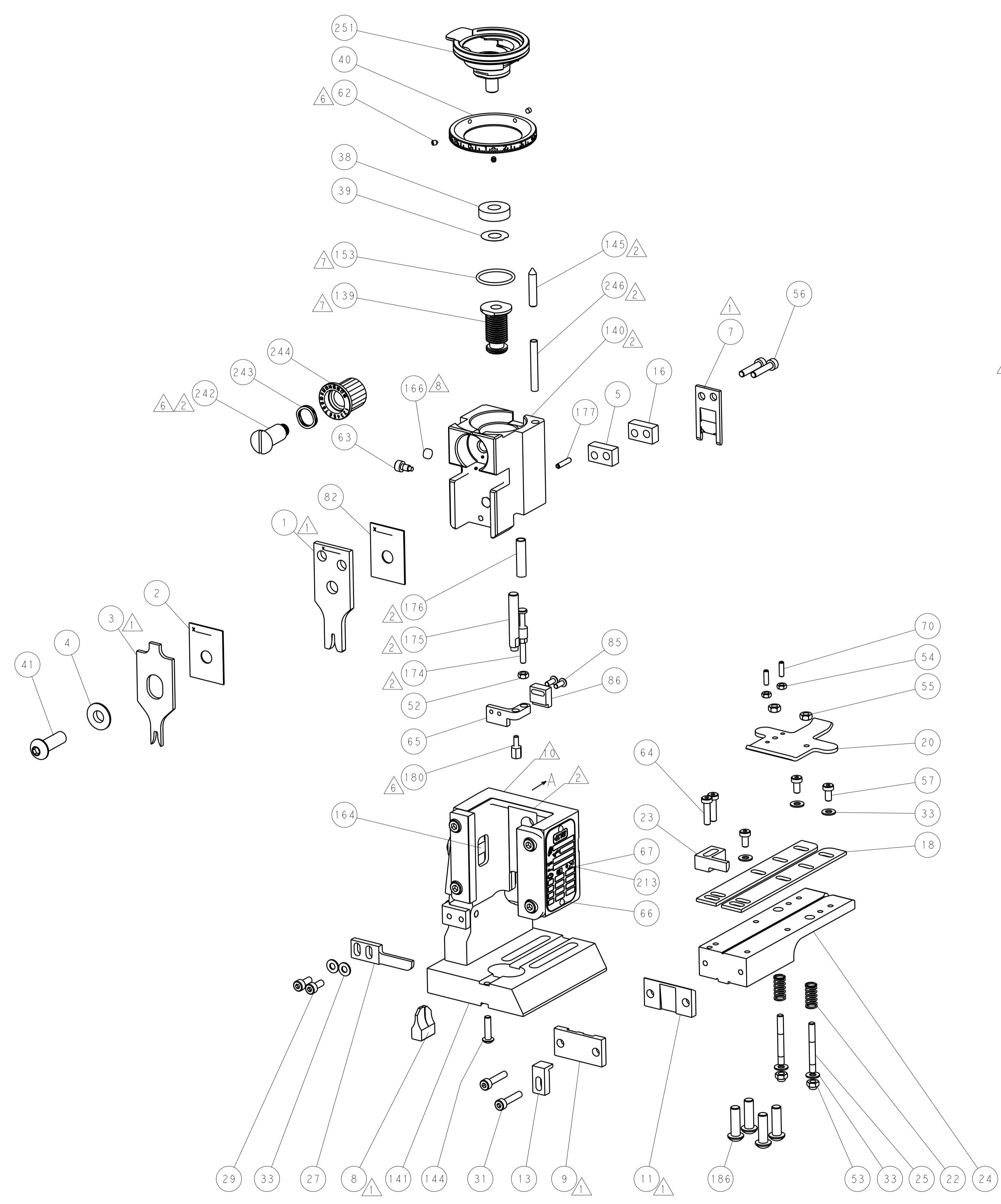
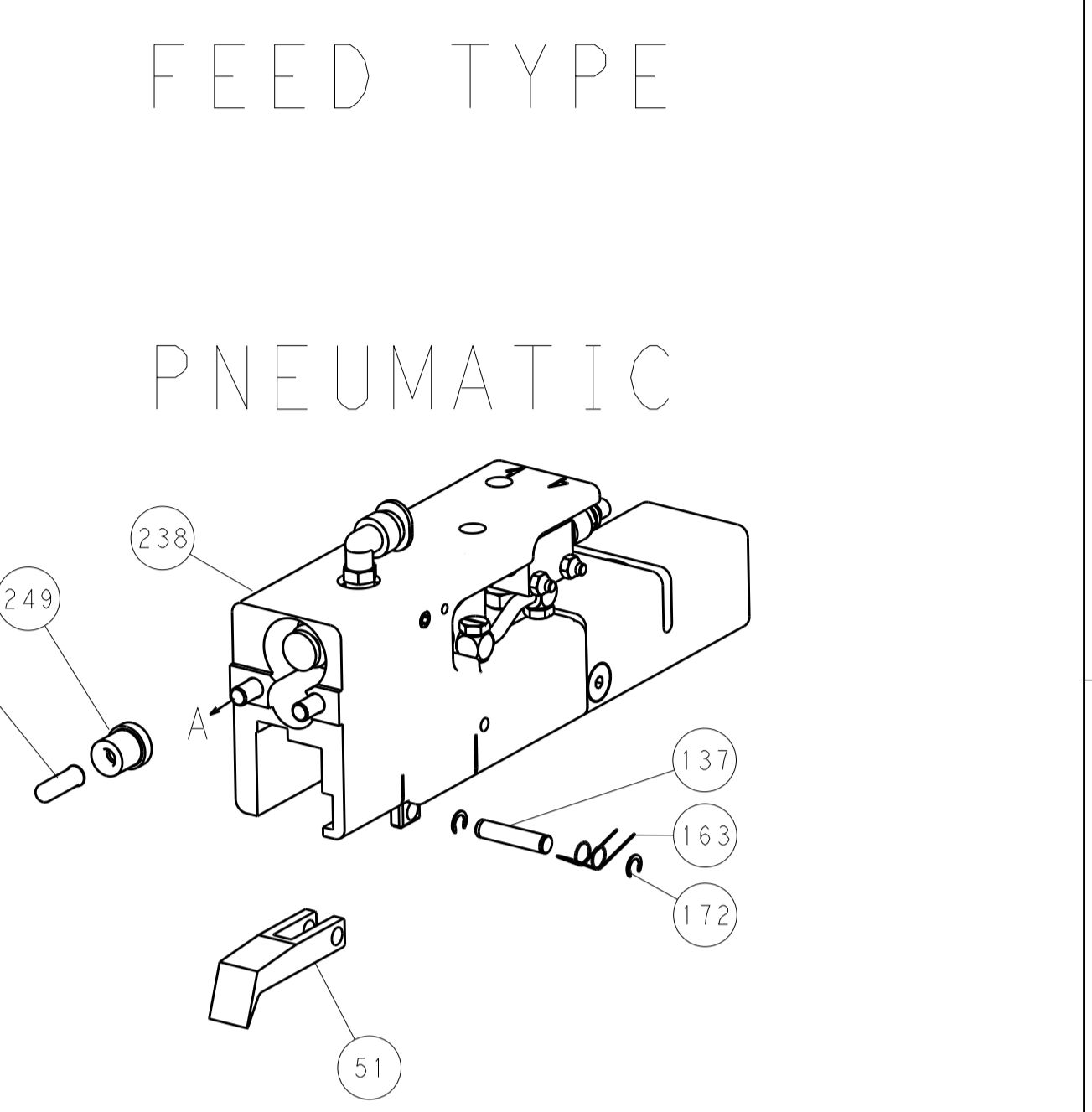
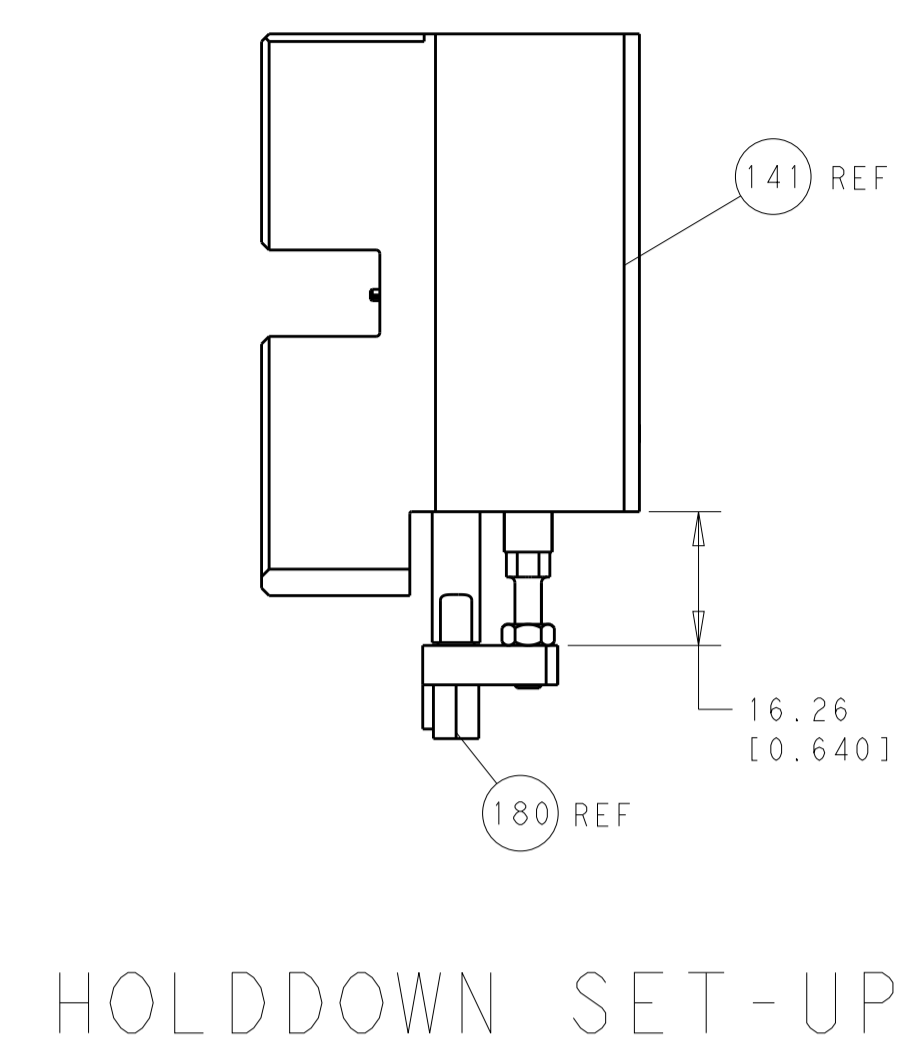


ATLANTIC VERSION
 Shown on sheets 1 of 4 & 2 of 4
 (Pacific version shown on sheets 3 of 4 & 4 of 4)

| | | | |
|--|--|--|---|
| <small>THIS DRAWING IS UNPUBLISHED. RELEASED FOR PUBLICATION BY TYCO ELECTRONICS CORPORATION. ALL RIGHTS RESERVED.</small> <small>IT IS THE BUYER'S RESPONSIBILITY TO CONTACT THE SUPPLIER FOR THE LATEST REVISIONS AND TO CONTACT THE SUPPLIER FOR THE LATEST REVISIONS.</small> | | DWN: X.ZHAO 23MAY2013 CHK: T.ELBIN 23MAY2013 APVD: L.ZHANG 23MAY2013 | TE Connectivity Harrisburg, PA 17105-3608 |
| DIMENSIONS: mm TOLERANCES UNLESS OTHERWISE SPECIFIED: 0 PLC ±0.5 1 PLC ±0.13 3 PLC ±0.013 4 PLC ±0.001 ANGLES ±0.001 | | NAME: Ocean End Feed Applicator SIZE: A1 CAGE CODE: 00779 DRAWING NO: C=2150076 | RESTRICTED TO: - SCALE: 1:1 SHEET: 2 OF 4 REV: A |
| MATERIAL: - FINISH: - | | WEIGHT: - Customer Accessible Production Drawing | SHEETS 3 & 4 ARE NOT REQUIRED FOR ATLANTIC VERSION |

| LOC | DIST | REV | DATE | BY | APPV |
|-----|------|-----|------|----|------|
| A | 66 | | | | |

DIMENSIONING AND TOLERANCING PER ASME Y14.5M-2003



PACIFIC VERSION
 Shown on sheets 3 of 4 & 4 of 4
 (Atlantic version shown on sheets 1 of 4 & 2 of 4)

| | | | |
|--|--|---|--|
| <small>THIS DRAWING IS UNPUBLISHED. RELEASED FOR PUBLICATION BY TYCO ELECTRONICS CORPORATION. ALL RIGHTS RESERVED.</small> | | DWN: X.ZHAO 23MAY2013 CHK: T.ELBIN 23MAY2013 APVD: L.ZHANG 23MAY2013 | TE Connectivity Harrisburg, PA 17105-3608 |
| DIMENSIONS: mm TOLERANCES UNLESS OTHERWISE SPECIFIED: 0 PLC ±0.5 1 PLC ±0.13 3 PLC ±0.013 4 PLC ±0.0001 ANGLES ±0.0001 | | NAME: Ocean End Feed Applier PRODUCT SPEC: APPLICATION SPEC: WEIGHT: | SIZE: A1 CAGE CODE: 00779 DRAWING NO: C=2150076 SCALE: 1:1 SHEET: 4 of 4 REV: A |
| MATERIAL: | | Customer Accessible Production Drawing | |