



Is Now Part of



**ON Semiconductor®**

To learn more about ON Semiconductor, please visit our website at  
[www.onsemi.com](http://www.onsemi.com)

ON Semiconductor and the ON Semiconductor logo are trademarks of Semiconductor Components Industries, LLC dba ON Semiconductor or its subsidiaries in the United States and/or other countries. ON Semiconductor owns the rights to a number of patents, trademarks, copyrights, trade secrets, and other intellectual property. A listing of ON Semiconductor's product/patent coverage may be accessed at [www.onsemi.com/site/pdf/Patent-Marking.pdf](http://www.onsemi.com/site/pdf/Patent-Marking.pdf). ON Semiconductor reserves the right to make changes without further notice to any products herein. ON Semiconductor makes no warranty, representation or guarantee regarding the suitability of its products for any particular purpose, nor does ON Semiconductor assume any liability arising out of the application or use of any product or circuit, and specifically disclaims any and all liability, including without limitation special, consequential or incidental damages. Buyer is responsible for its products and applications using ON Semiconductor products, including compliance with all laws, regulations and safety requirements or standards, regardless of any support or applications information provided by ON Semiconductor. "Typical" parameters which may be provided in ON Semiconductor data sheets and/or specifications can and do vary in different applications and actual performance may vary over time. All operating parameters, including "Typicals" must be validated for each customer application by customer's technical experts. ON Semiconductor does not convey any license under its patent rights nor the rights of others. ON Semiconductor products are not designed, intended, or authorized for use as a critical component in life support systems or any FDA Class 3 medical devices or medical devices with a same or similar classification in a foreign jurisdiction or any devices intended for implantation in the human body. Should Buyer purchase or use ON Semiconductor products for any such unintended or unauthorized application, Buyer shall indemnify and hold ON Semiconductor and its officers, employees, subsidiaries, affiliates, and distributors harmless against all claims, costs, damages, and expenses, and reasonable attorney fees arising out of, directly or indirectly, any claim of personal injury or death associated with such unintended or unauthorized use, even if such claim alleges that ON Semiconductor was negligent regarding the design or manufacture of the part. ON Semiconductor is an Equal Opportunity/Affirmative Action Employer. This literature is subject to all applicable copyright laws and is not for resale in any manner.

## 74LCX652

### Low Voltage Transceiver/Register with 5V Tolerant Inputs and Outputs

#### General Description

The LCX652 consists of bus transceiver circuits with D-type flip-flops, and control circuitry arranged for multiplexed transmission of data directly from the input bus or from internal registers. Data on the A or B bus will be clocked into the registers as the appropriate clock pin goes to the HIGH logic level. Output Enable pins (OEAB, OEBA) are provided to control the transceiver function.

The LCX652 is designed for low voltage (2.5V or 3.3V)  $V_{CC}$  applications with capability of interfacing to a 5V signal environment.

The LCX652 is fabricated with an advanced CMOS technology to achieve high speed operation while maintaining CMOS low power dissipation.

#### Features

- 5V tolerant inputs and outputs
- 2.3V – 3.6V  $V_{CC}$  specifications provided
- 7.0 ns  $t_{PD}$  max ( $V_{CC} = 3.3V$ ), 10  $\mu A$   $I_{CC}$  max
- Power down high impedance inputs and outputs
- Supports live insertion/withdrawal (Note 1)
- $\pm 24$  mA output drive ( $V_{CC} = 3.0V$ )
- Implements patented noise/EMI reduction circuitry
- Latch-up performance exceeds 500 mA
- ESD performance:
  - Human body model > 2000V
  - Machine model > 200V

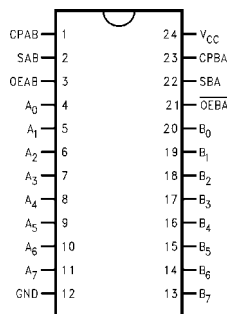
**Note 1:** To ensure the high-impedance state during power up or down,  $\overline{OE}$  should be tied to  $V_{CC}$  through a pull-up resistor; the minimum value or the resistor is determined by the current-sourcing capability of the driver.

#### Ordering Code:

| Order Number | Package Number | Package Description   |
|--------------|----------------|---|
| 74LCX652WMM  | M24B           | 24-Lead Small Outline Integrated Circuit (SOIC), JEDEC MS-013, 0.300 Wide   |
| 74LCX652MSA  | MSA24          | 24-Lead Shrink Small Outline Package (SSOP), EIAJ TYPE II, 5.3mm Wide       |
| 74LCX652MTC  | MTC24          | 24-Lead Thin Shrink Small Outline Package (TSSOP), JEDEC MO-153, 4.4mm Wide |

Devices also available in Tape and Reel. Specify by appending the suffix letter "X" to the ordering code.

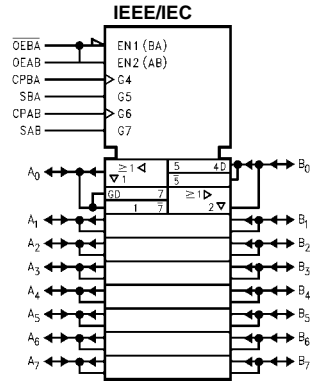
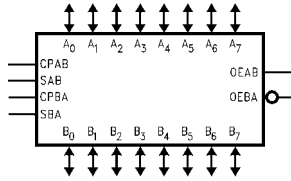
#### Connection Diagram



#### Pin Descriptions

| Pin Names                     | Description                    |
|-------------------------------|--------------------------------|
| $A_0$ – $A_7$ , $B_0$ – $B_7$ | A and B Inputs/3-STATE Outputs |
| CPAB, CPBA                    | Clock Inputs                   |
| SAB, SBA                      | Select Inputs                  |
| OEAB, OEBA                    | Output Enable Inputs           |

Logic Symbols



Truth Table

(Note 2)

| Inputs |      |        |        |     |     | Inputs/Outputs                     |                                    | Operating Mode                                       |
|--------|------|--------|--------|-----|-----|------------------------------------|------------------------------------|--|
| OEAB   | OEBA | CPAB   | CPBA   | SAB | SBA | A <sub>0</sub> thru A <sub>7</sub> | B <sub>0</sub> thru B <sub>7</sub> |  |
| L      | H    | H or L | H or L | X   | X   | Input                              | Input                              | Isolation  |
| L      | H    | ↔      | ↔      | X   | X   |                                    |                                    | Store A and B Data                                   |
| X      | H    | ↔      | H or L | X   | X   | Input                              | Not Specified                      | Store A, Hold B                                      |
| H      | H    | ↔      | ↔      | X   | X   | Input                              | Output                             | Store A in Both Registers                            |
| L      | X    | H or L | ↔      | X   | X   | Not Specified                      | Input                              | Hold A, Store B                                      |
| L      | L    | ↔      | ↔      | X   | X   | Output                             | Input                              | Store B in Both Registers                            |
| L      | L    | X      | X      | X   | L   | Output                             | Input                              | Real-Time B Data to A Bus                            |
| L      | L    | X      | H or L | X   | H   |                                    |                                    | Store B Data to A Bus                                |
| H      | H    | X      | X      | L   | X   | Input                              | Output                             | Real-Time A Data to B Bus                            |
| H      | H    | H or L | X      | H   | X   |                                    |                                    | Stored A Data to B Bus                               |
| H      | L    | H or L | H or L | H   | H   | Output                             | Output                             | Stored A Data to B Bus and<br>Stored B Data to A Bus |

H = HIGH Voltage Level  
 L = LOW Voltage Level  
 X = Immaterial  
 ↔ = LOW-to-HIGH Clock Transition

**Note 2:** The data output functions may be enabled or disabled by various signals at OEAB or OEBA inputs. Data input functions are always enabled, i.e., data at the bus pins will be stored on every LOW-to-HIGH transition on the clock inputs.

## Functional Description

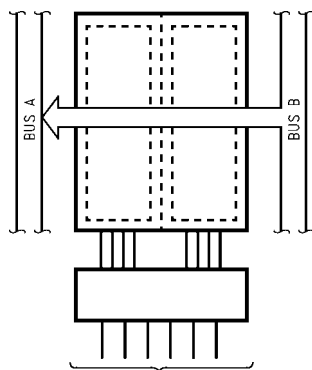
In the transceiver mode, data present at the HIGH impedance port may be stored in either the A or B register or both.

The select (SAB, SBA) controls can multiplex stored and real-time.

The examples below demonstrate the four fundamental bus-management functions that can be performed with the Octal bus transceiver and receiver.

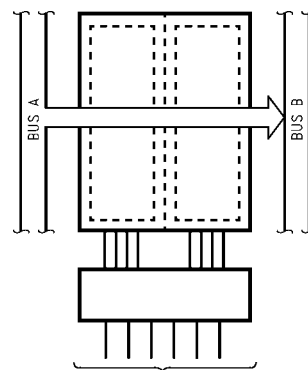
Data on the A or B data bus, or both can be stored in the internal D flip-flop by LOW to HIGH transitions at the appropriate Clock Inputs (CPAB, CPBA) regardless of the Select or Output Enable Inputs. When SAB and SBA are in the real time transfer mode, it is also possible to store data without using the internal D flip-flops by simultaneously enabling OEAB and  $\overline{\text{OEBA}}$ . In this configuration each Output reinforces its Input. Thus when all other data sources to the two sets of bus lines are in a HIGH impedance state, each set of bus lines will remain at its last state.

**Real-Time Transfer  
Bus B to Bus A**



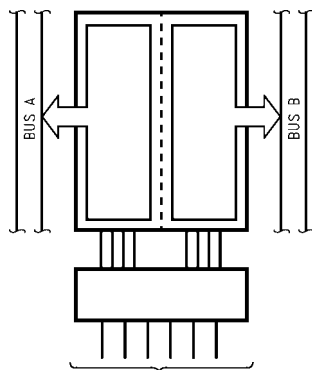
|      |                          |      |      |     |     |
|------|--------------------------|------|------|-----|-----|
| OEAB | $\overline{\text{OEBA}}$ | CPAB | CPBA | SAB | SBA |
| L    | L                        | X    | X    | X   | L   |

**Real-Time Transfer  
Bus A to Bus B**



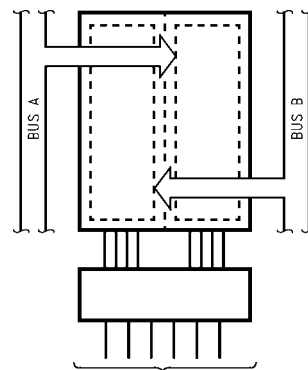
|      |                          |      |      |     |     |
|------|--------------------------|------|------|-----|-----|
| OEAB | $\overline{\text{OEBA}}$ | CPAB | CPBA | SAB | SBA |
| H    | H                        | X    | X    | L   | X   |

**Transfer Storage  
Data to A or B**



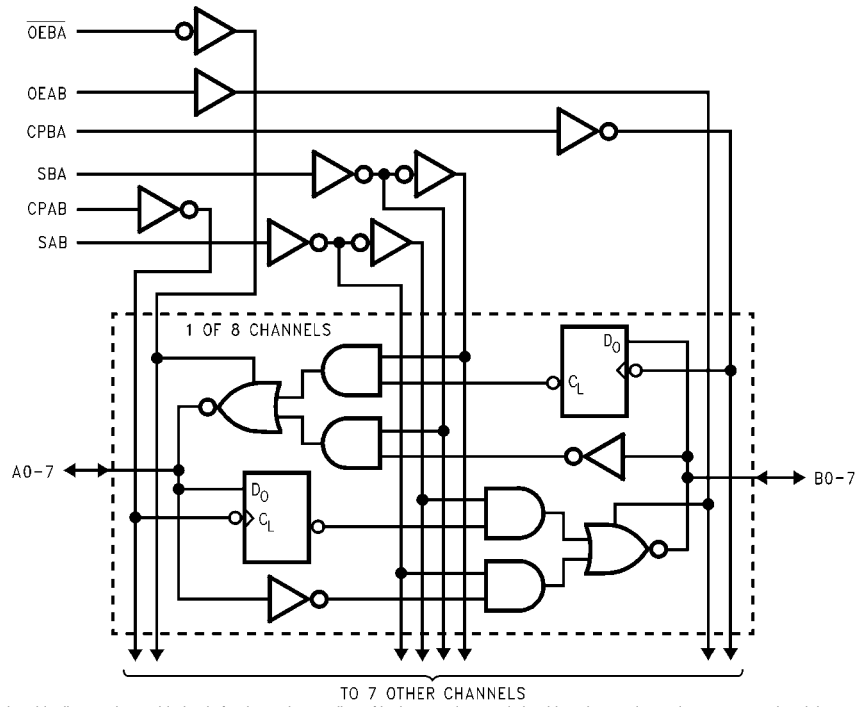
|      |                          |        |        |     |     |
|------|--------------------------|--------|--------|-----|-----|
| OEAB | $\overline{\text{OEBA}}$ | CPAB   | CPBA   | SAB | SBA |
| H    | L                        | H or L | H or L | H   | H   |

**Storage**



|      |                          |      |      |     |     |
|------|--------------------------|------|------|-----|-----|
| OEAB | $\overline{\text{OEBA}}$ | CPAB | CPBA | SAB | SBA |
| X    | H                        | ↗    | X    | X   | X   |
| L    | X                        | X    | ↗    | X   | X   |
| L    | H                        | ↗    | ↗    | X   | X   |

**Logic Diagram**

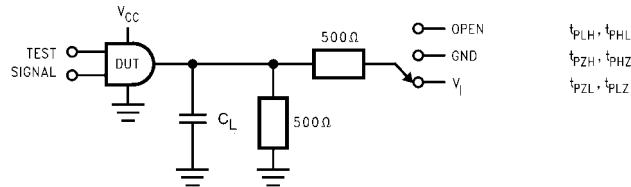


Please note that this diagram is provided only for the understanding of logic operations and should not be used to estimate propagation delays.

| Absolute Maximum Ratings <sup>(Note 3)</sup>   |  |  |   |                                 |      |       |
|--|--|--|---|---------------------------------|------|-------|
| Symbol   | Parameter  | Value  | Conditions  | Units                           |      |       |
| V <sub>CC</sub>  | Supply Voltage   | -0.5 to +7.0   |   | V                               |      |       |
| V <sub>I</sub>   | DC Input Voltage   | -0.5 to +7.0   |   | V                               |      |       |
| V <sub>O</sub>   | DC Output Voltage  | -0.5 to +7.0<br>-0.5 to V <sub>CC</sub> + 0.5                                    | Output in 3-STATE<br>Output in HIGH or LOW State (Note 4) | V                               |      |       |
| I <sub>IK</sub>  | DC Input Diode Current   | -50  | V <sub>I</sub> < GND                                      | mA                              |      |       |
| I <sub>OK</sub>  | DC Output Diode Current  | -50<br>+50   | V <sub>O</sub> < GND<br>V <sub>O</sub> > V <sub>CC</sub>  | mA                              |      |       |
| I <sub>O</sub>   | DC Output Source/Sink Current  | ±50  |   | mA                              |      |       |
| I <sub>CC</sub>  | DC Supply Current per Supply Pin                                       | ±100   |   | mA                              |      |       |
| I <sub>GND</sub>   | DC Ground Current per Ground Pin                                       | ±100   |   | mA                              |      |       |
| T <sub>STG</sub>   | Storage Temperature  | -65 to +150  |   | °C                              |      |       |
| Recommended Operating Conditions (Note 5)  |  |  |   |                                 |      |       |
| Symbol   | Parameter  | Min  | Max   | Units                           |      |       |
| V <sub>CC</sub>  | Supply Voltage   | Operating  | 2.0   | 3.6                             | V    |       |
|  |  | Data Retention   | 1.5   | 3.6                             |      |       |
| V <sub>I</sub>   | Input Voltage  | 0  | 5.5   | V                               |      |       |
| V <sub>O</sub>   | Output Voltage   | HIGH or LOW State  | 0   | V <sub>CC</sub>                 | V    |       |
|  |  | 3-STATE  | 0   | 5.5                             |      |       |
| I <sub>OH</sub> /I <sub>OL</sub>   | Output Current   | V <sub>CC</sub> = 3.0V – 3.6V  |   | ±24                             | mA   |       |
|  |  | V <sub>CC</sub> = 2.7V – 3.0V  |   | ±12                             |      |       |
|  |  | V <sub>CC</sub> = 2.3V – 2.7V  |   | ±8                              |      |       |
| T <sub>A</sub>   | Free-Air Operating Temperature   | -40  | 85  | °C                              |      |       |
| Δt/ΔV  | Input Edge Rate, V <sub>IN</sub> = 0.8V – 2.0V, V <sub>CC</sub> = 3.0V | 0  | 10  | ns/V                            |      |       |
| <p><b>Note 3:</b> The Absolute Maximum Ratings are those values beyond which the safety of the device cannot be guaranteed. The device should not be operated at these limits. The parametric values defined in the Electrical Characteristics tables are not guaranteed at the Absolute Maximum Ratings. The "Recommended Operating Conditions" table will define the conditions for actual device operation.</p> <p><b>Note 4:</b> I<sub>O</sub> Absolute Maximum Rating must be observed.</p> <p><b>Note 5:</b> Unused inputs or I/Os must be held HIGH or LOW. They may not float.</p> |  |  |   |                                 |      |       |
| DC Electrical Characteristics  |  |  |   |                                 |      |       |
| Symbol   | Parameter  | Conditions   | V <sub>CC</sub><br>(V)                                    | T <sub>A</sub> = -40°C to +85°C |      | Units |
|  |  |  |   | Min                             | Max  |       |
| V <sub>IH</sub>  | HIGH Level Input Voltage   |  | 2.3 – 2.7   | 1.7                             |      | V     |
|  |  |  | 2.7 – 3.6   | 2.0                             |      |       |
| V <sub>IL</sub>  | LOW Level Input Voltage  |  | 2.3 – 2.7   |                                 | 0.7  | V     |
|  |  |  | 2.7 – 3.6   |                                 | 0.8  |       |
| V <sub>OH</sub>  | HIGH Level Output Voltage  | I <sub>OH</sub> = -100 μA  | 2.3 – 3.6   | V <sub>CC</sub> - 0.2           |      | V     |
|  |  | I <sub>OH</sub> = -8 mA  | 2.3   | 1.8                             |      |       |
|  |  | I <sub>OH</sub> = -12 mA   | 2.7   | 2.2                             |      |       |
|  |  | I <sub>OH</sub> = -18 mA   | 3.0   | 2.4                             |      |       |
|  |  | I <sub>OH</sub> = -24 mA   | 3.0   | 2.2                             |      |       |
| V <sub>OL</sub>  | LOW Level Output Voltage   | I <sub>OL</sub> = 100 μA   | 2.3 – 3.6   |                                 | 0.2  | V     |
|  |  | I <sub>OL</sub> = 8 mA   | 2.3   |                                 | 0.6  |       |
|  |  | I <sub>OL</sub> = 12 mA  | 2.7   |                                 | 0.4  |       |
|  |  | I <sub>OL</sub> = 16 mA  | 3.0   |                                 | 0.4  |       |
|  |  | I <sub>OL</sub> = 24 mA  | 3.0   |                                 | 0.55 |       |
| I <sub>I</sub>   | Input Leakage Current  | 0 ≤ V <sub>I</sub> ≤ 5.5V  | 2.3 – 3.6   |                                 | ±5.0 | μA    |
| I <sub>OZ</sub>  | 3-STATE I/O Leakage  | 0 ≤ V <sub>O</sub> ≤ 5.5V<br>V <sub>I</sub> = V <sub>IH</sub> or V <sub>IL</sub> | 2.3 – 3.6   |                                 | ±5.0 | μA    |
| I <sub>OFF</sub>   | Power-Off Leakage Current  | V <sub>I</sub> or V <sub>O</sub> = 5.5V  | 0   |                                 | 10   | μA    |

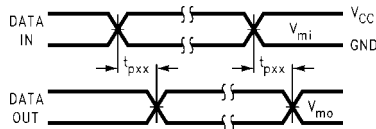
| DC Electrical Characteristics (Continued)   |   |   |                        |                                 |     |                               |      |       |
|---|---|---|------------------------|---------------------------------|-----|-------------------------------|------|-------|
| Symbol  | Parameter                                   | Conditions  | V <sub>CC</sub><br>(V) | T <sub>A</sub> = -40°C to +85°C |     | Units                         |      |       |
|   |   |   |                        | Min                             | Max |                               |      |       |
| I <sub>CC</sub>   | Quiescent Supply Current                    | V <sub>I</sub> = V <sub>CC</sub> or GND                                     | 2.3 – 3.6              |                                 | 10  | μA                            |      |       |
|   |   | 3.6V ≤ V <sub>I</sub> , V <sub>O</sub> ≤ 5.5V (Note 6)                      | 2.3 – 3.6              |                                 | ±10 |                               |      |       |
| ΔI <sub>CC</sub>  | Increase in I <sub>CC</sub> per Input       | V <sub>IH</sub> = V <sub>CC</sub> - 0.6V                                    | 2.3 – 3.6              |                                 | 500 | μA                            |      |       |
| <b>Note 6:</b> Outputs disabled or 3-STATE only.  |   |   |                        |                                 |     |                               |      |       |
| AC Electrical Characteristics   |   |   |                        |                                 |     |                               |      |       |
| Symbol  | Parameter                                   | T <sub>A</sub> = -40°C to +85°C; R <sub>L</sub> = 500Ω                      |                        |                                 |     |                               |      | Units |
|   |   | V <sub>CC</sub> = 3.3V ± 0.3V   |                        | V <sub>CC</sub> = 2.7V          |     | V <sub>CC</sub> = 2.5V ± 0.2V |      |       |
|   |   | C <sub>L</sub> = 50 pF  |                        | C <sub>L</sub> = 50 pF          |     | C <sub>L</sub> = 30 pF        |      |       |
|   |   | Min   | Max                    | Min                             | Max | Min                           | Max  |       |
| f <sub>MAX</sub>  | Maximum Clock Frequency                     | 150   |                        |                                 |     |                               |      | MHz   |
| t <sub>PHL</sub>  | Propagation Delay                           | 1.5   | 7.0                    | 1.5                             | 8.0 | 1.5                           | 8.4  | ns    |
| t <sub>PLH</sub>  | Bus to Bus                                  | 1.5   | 7.0                    | 1.5                             | 8.0 | 1.5                           | 8.4  |       |
| t <sub>PHL</sub>  | Propagation Delay                           | 1.5   | 8.5                    | 1.5                             | 9.5 | 1.5                           | 10.5 | ns    |
| t <sub>PLH</sub>  | Clock to Bus                                | 1.5   | 8.5                    | 1.5                             | 9.5 | 1.5                           | 10.5 |       |
| t <sub>PHL</sub>  | Propagation Delay                           | 1.5   | 8.5                    | 1.5                             | 9.5 | 1.5                           | 10.5 | ns    |
| t <sub>PLH</sub>  | Select to Bus                               | 1.5   | 8.5                    | 1.5                             | 9.5 | 1.5                           | 10.5 |       |
| t <sub>PZL</sub>  | Output Enable Time                          | 1.5   | 8.5                    | 1.5                             | 9.5 | 1.5                           | 10.5 | ns    |
| t <sub>PZH</sub>  | Output Disable Time                         | 1.5   | 8.5                    | 1.5                             | 9.5 | 1.5                           | 10.5 |       |
| t <sub>PLZ</sub>  | Output Disable Time                         | 1.5   | 8.5                    | 1.5                             | 9.5 | 1.5                           | 10.5 | ns    |
| t <sub>PHZ</sub>  | Output Enable Time                          | 1.5   | 8.5                    | 1.5                             | 9.5 | 1.5                           | 10.5 |       |
| t <sub>S</sub>  | Setup Time                                  | 2.5   |                        | 2.5                             |     | 4.0                           |      | ns    |
| t <sub>H</sub>  | Hold Time                                   | 1.5   |                        | 1.5                             |     | 2.0                           |      | ns    |
| t <sub>W</sub>  | Pulse Width                                 | 3.3   |                        | 3.3                             |     | 4.0                           |      | ns    |
| t <sub>OSSL</sub>   | Output to Output Skew (Note 7)              |   | 1.0                    |                                 |     |                               |      | ns    |
| t <sub>OSLH</sub>   |   |   | 1.0                    |                                 |     |                               |      |       |
| <b>Note 7:</b> Skew is defined as the absolute value of the difference between the actual propagation delay for any two separate outputs of the same device. The specification applies to any outputs switching in the same direction, either HIGH-to-LOW (t <sub>OSSL</sub> ) or LOW-to-HIGH (t <sub>OSLH</sub> ). Parameter guaranteed by design. |   |   |                        |                                 |     |                               |      |       |
| Dynamic Switching Characteristics   |   |   |                        |                                 |     |                               |      |       |
| Symbol  | Parameter                                   | Conditions  | V <sub>CC</sub><br>(V) | T <sub>A</sub> = 25°C           |     | Units                         |      |       |
|   |   |   |                        | Typical                         |     |                               |      |       |
| V <sub>OLP</sub>  | Quiet Output Dynamic Peak V <sub>OL</sub>   | C <sub>L</sub> = 50 pF, V <sub>IH</sub> = 3.3V, V <sub>IL</sub> = 0V        | 3.3                    | 0.8                             |     | V                             |      |       |
|   |   | C <sub>L</sub> = 30 pF, V <sub>IH</sub> = 2.5V, V <sub>IL</sub> = 0V        | 2.5                    | 0.6                             |     |                               |      |       |
| V <sub>OLV</sub>  | Quiet Output Dynamic Valley V <sub>OL</sub> | C <sub>L</sub> = 50 pF, V <sub>IH</sub> = 3.3V, V <sub>IL</sub> = 0V        | 3.3                    | -0.8                            |     | V                             |      |       |
|   |   | C <sub>L</sub> = 30 pF, V <sub>IH</sub> = 2.5V, V <sub>IL</sub> = 0V        | 2.5                    | -0.6                            |     |                               |      |       |
| Capacitance   |   |   |                        |                                 |     |                               |      |       |
| Symbol  | Parameter                                   | Conditions  | Typical                | Units                           |     |                               |      |       |
| C <sub>IN</sub>   | Input Capacitance                           | V <sub>CC</sub> = Open, V <sub>I</sub> = 0V or V <sub>CC</sub>              | 7                      | pF                              |     |                               |      |       |
| C <sub>I/O</sub>  | Input/Output Capacitance                    | V <sub>CC</sub> = 3.3V, V <sub>I</sub> = 0V or V <sub>CC</sub>              | 8                      | pF                              |     |                               |      |       |
| C <sub>PD</sub>   | Power Dissipation Capacitance               | V <sub>CC</sub> = 3.3V, V <sub>I</sub> = 0V or V <sub>CC</sub> , f = 10 MHz | 25                     | pF                              |     |                               |      |       |

**AC LOADING and WAVEFORMS** Generic for LCX Family

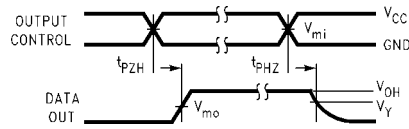


**FIGURE 1. AC Test Circuit** ( $C_L$  includes probe and jig capacitance)

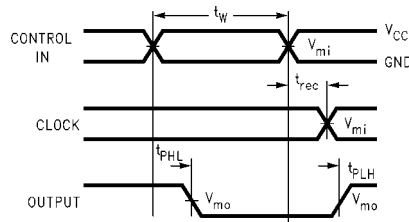
| Test               | Switch  |
|--------------------|---|
| $t_{PLH}, t_{PHL}$ | Open  |
| $t_{PZL}, t_{PLZ}$ | 6V at $V_{CC} = 3.3 \pm 0.3V$<br>$V_{CC} \times 2$ at $V_{CC} = 2.5 \pm 0.2V$ |
| $t_{PZH}, t_{PHZ}$ | GND   |



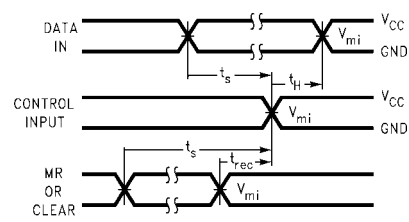
**Waveform for Inverting and Non-Inverting Functions**



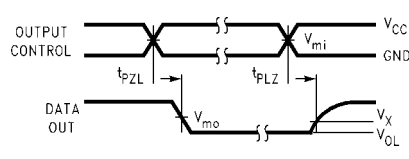
**3-STATE Output High Enable and Disable Times for Logic**



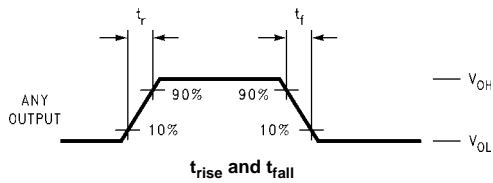
**Propagation Delay, Pulse Width and  $t_{rec}$  Waveforms**



**Setup Time, Hold Time and Recovery Time for Logic**



**3-STATE Output Low Enable and Disable Times for Logic**

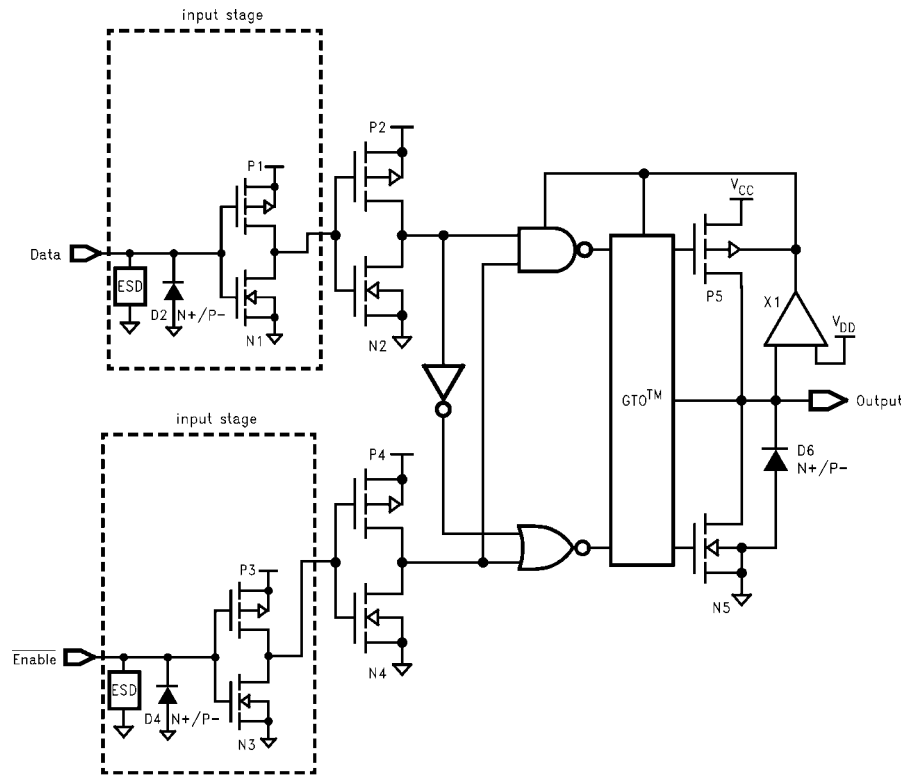


**FIGURE 2. Waveforms**  
(Input Characteristics;  $f = 1MHz, t_r = t_f = 3ns$ )

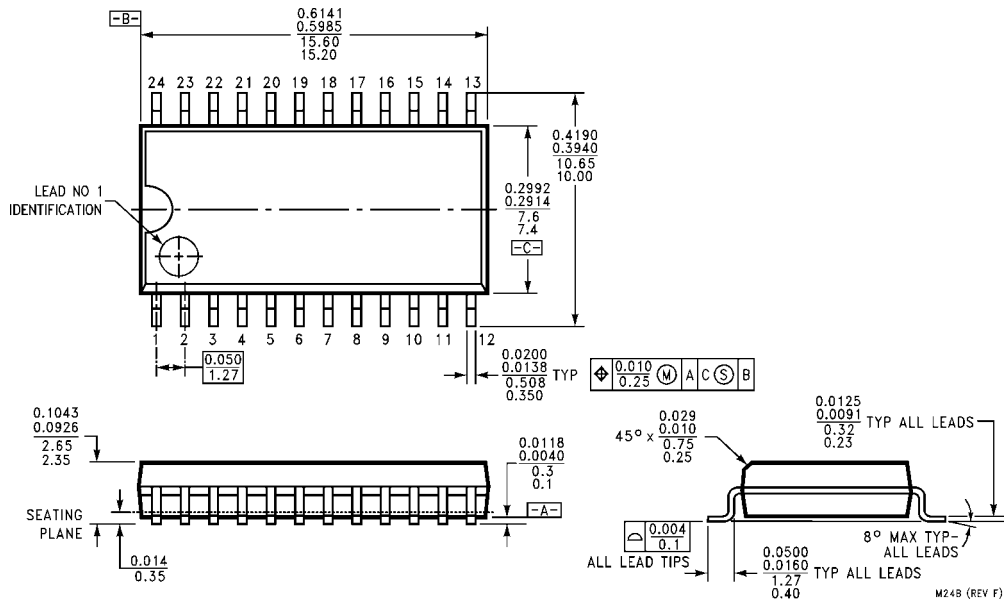
| Symbol   | $V_{CC}$        |                 |                  |
|----------|-----------------|-----------------|------------------|
|          | $3.3V \pm 0.3V$ | 2.7V            | $2.5V \pm 0.2V$  |
| $V_{mi}$ | 1.5V            | 1.5V            | $V_{CC}/2$       |
| $V_{mo}$ | 1.5V            | 1.5V            | $V_{CC}/2$       |
| $V_x$    | $V_{OL} + 0.3V$ | $V_{OL} + 0.3V$ | $V_{OL} + 0.15V$ |
| $V_y$    | $V_{OH} - 0.3V$ | $V_{OH} - 0.3V$ | $V_{OH} - 0.15V$ |



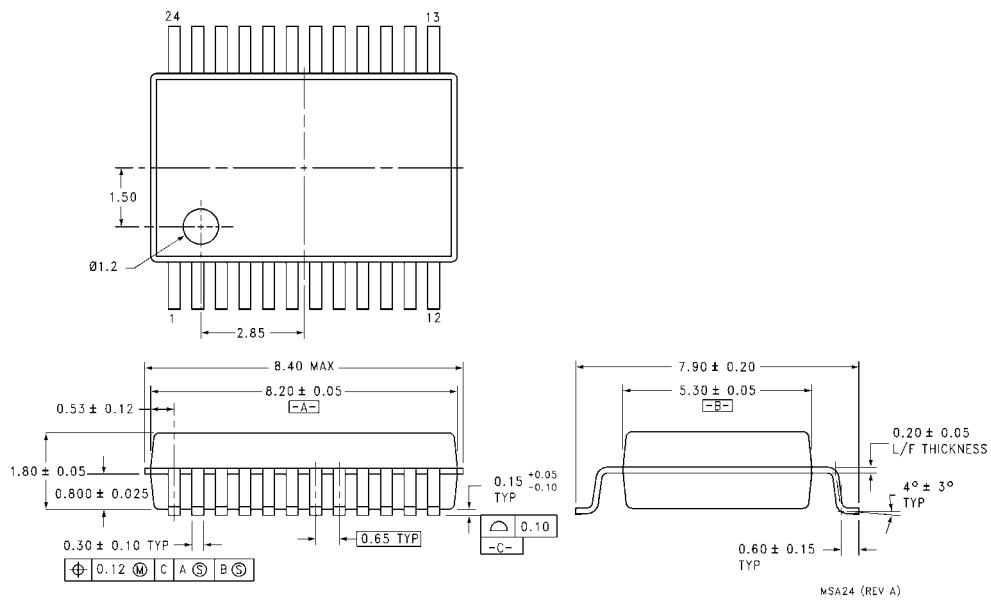
**Schematic Diagram** Generic for LCX Family



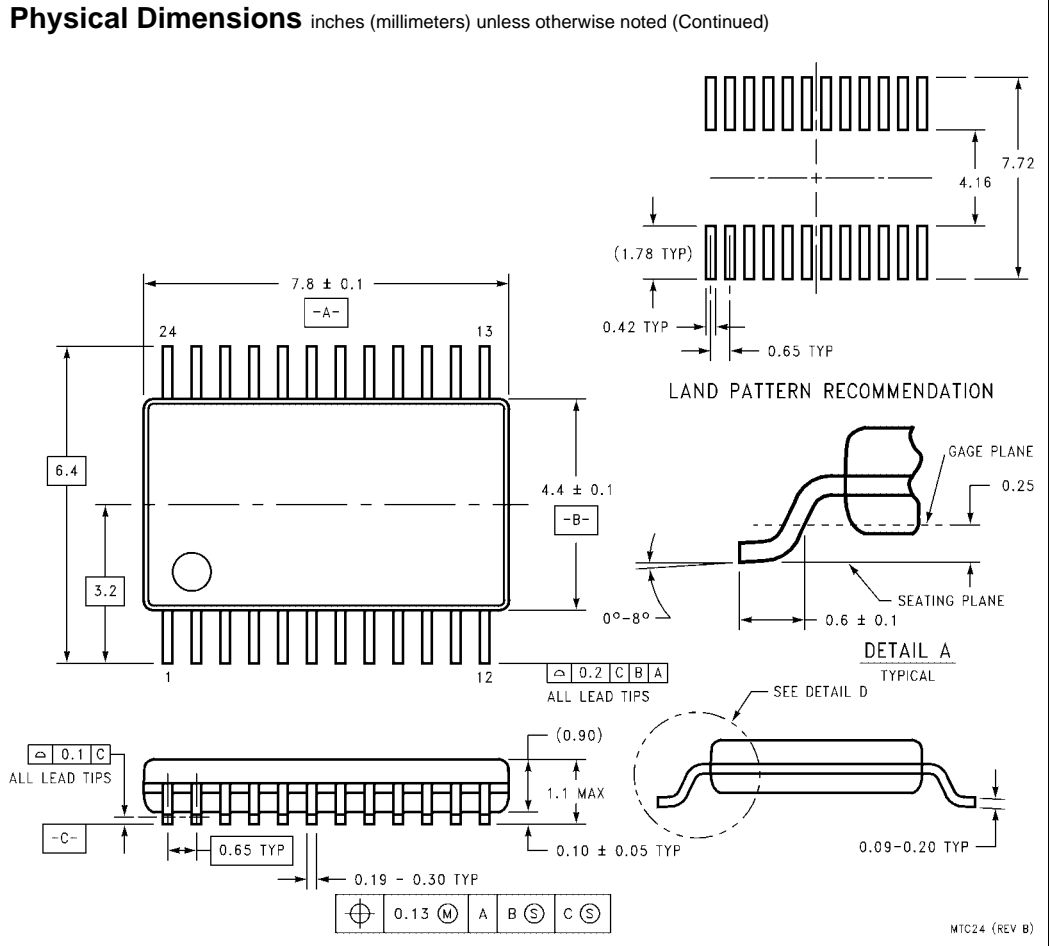
**Physical Dimensions** inches (millimeters) unless otherwise noted



**24-Lead Small Outline Integrated Circuit (SOIC), JEDEC MS-013, 0.300 Wide Package Number M24B**



**24-Lead Shrink Small Outline Package (SSOP), EIAJ TYPE II, 5.3mm Wide Package Number MSA24**



24-Lead Thin Shrink Small Outline Package (TSSOP), JEDEC MO-153, 4.4mm Wide  
Package Number MTC24

Fairchild does not assume any responsibility for use of any circuitry described, no circuit patent licenses are implied and Fairchild reserves the right at any time without notice to change said circuitry and specifications.

**LIFE SUPPORT POLICY**

FAIRCHILD'S PRODUCTS ARE NOT AUTHORIZED FOR USE AS CRITICAL COMPONENTS IN LIFE SUPPORT DEVICES OR SYSTEMS WITHOUT THE EXPRESS WRITTEN APPROVAL OF THE PRESIDENT OF FAIRCHILD SEMICONDUCTOR CORPORATION. As used herein:

1. Life support devices or systems are devices or systems which, (a) are intended for surgical implant into the body, or (b) support or sustain life, and (c) whose failure to perform when properly used in accordance with instructions for use provided in the labeling, can be reasonably expected to result in a significant injury to the user.
2. A critical component in any component of a life support device or system whose failure to perform can be reasonably expected to cause the failure of the life support device or system, or to affect its safety or effectiveness.

[www.fairchildsemi.com](http://www.fairchildsemi.com)

ON Semiconductor and  are trademarks of Semiconductor Components Industries, LLC dba ON Semiconductor or its subsidiaries in the United States and/or other countries. ON Semiconductor owns the rights to a number of patents, trademarks, copyrights, trade secrets, and other intellectual property. A listing of ON Semiconductor's product/patent coverage may be accessed at [www.onsemi.com/site/pdf/Patent-Marking.pdf](http://www.onsemi.com/site/pdf/Patent-Marking.pdf). ON Semiconductor reserves the right to make changes without further notice to any products herein. ON Semiconductor makes no warranty, representation or guarantee regarding the suitability of its products for any particular purpose, nor does ON Semiconductor assume any liability arising out of the application or use of any product or circuit, and specifically disclaims any and all liability, including without limitation special, consequential or incidental damages. Buyer is responsible for its products and applications using ON Semiconductor products, including compliance with all laws, regulations and safety requirements or standards, regardless of any support or applications information provided by ON Semiconductor. "Typical" parameters which may be provided in ON Semiconductor data sheets and/or specifications can and do vary in different applications and actual performance may vary over time. All operating parameters, including "Typicals" must be validated for each customer application by customer's technical experts. ON Semiconductor does not convey any license under its patent rights nor the rights of others. ON Semiconductor products are not designed, intended, or authorized for use as a critical component in life support systems or any FDA Class 3 medical devices or medical devices with a same or similar classification in a foreign jurisdiction or any devices intended for implantation in the human body. Should Buyer purchase or use ON Semiconductor products for any such unintended or unauthorized application, Buyer shall indemnify and hold ON Semiconductor and its officers, employees, subsidiaries, affiliates, and distributors harmless against all claims, costs, damages, and expenses, and reasonable attorney fees arising out of, directly or indirectly, any claim of personal injury or death associated with such unintended or unauthorized use, even if such claim alleges that ON Semiconductor was negligent regarding the design or manufacture of the part. ON Semiconductor is an Equal Opportunity/Affirmative Action Employer. This literature is subject to all applicable copyright laws and is not for resale in any manner.

## PUBLICATION ORDERING INFORMATION

### LITERATURE FULFILLMENT:

Literature Distribution Center for ON Semiconductor  
19521 E. 32nd Pkwy, Aurora, Colorado 80011 USA  
**Phone:** 303-675-2175 or 800-344-3860 Toll Free USA/Canada  
**Fax:** 303-675-2176 or 800-344-3867 Toll Free USA/Canada  
**Email:** [orderlit@onsemi.com](mailto:orderlit@onsemi.com)

**N. American Technical Support:** 800-282-9855 Toll Free  
USA/Canada  
**Europe, Middle East and Africa Technical Support:**  
Phone: 421 33 790 2910  
**Japan Customer Focus Center**  
Phone: 81-3-5817-1050

**ON Semiconductor Website:** [www.onsemi.com](http://www.onsemi.com)  
**Order Literature:** <http://www.onsemi.com/orderlit>  
For additional information, please contact your local  
Sales Representative