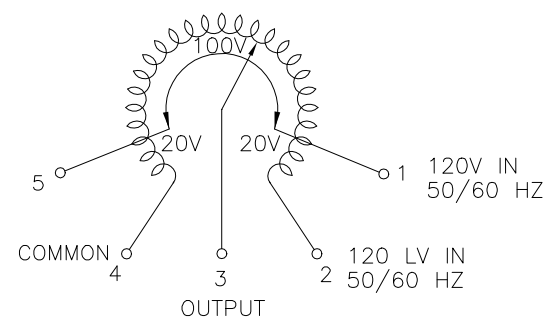


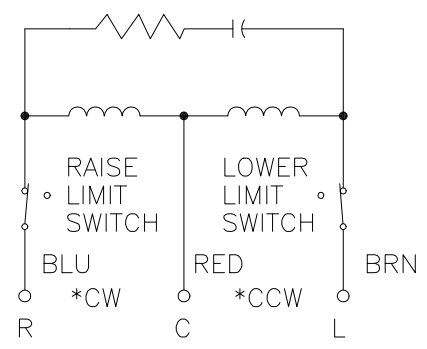
STANDOFFS TAPPED
1/2-13 X .50 (12.7)
DEEP FOR MTG. BOLTS
(4) PLACES

.41 [10.3] WIDE MOUNTING SLOTS
(4) PLACES

+ MOTOR DRIVEN UNITS USE TERMINAL CONNECTORS FOR CCW INCREASING VOLTAGE, AS VIEWED FROM THE BASE END.



SCHMATIC
VIEW FROM BASE END



MOTOR CIRCUIT
120V 50/60 HZ.
MOTOR SPEED: SEE CHART
* ROTATION AS VIEWED FROM MOTOR END

SPEED (SECONDS)	MODEL NUMBER
5	5M2510C
15	15M2510C
30	30M2510C
60	60M2510C

SPECIFICATIONS											
WIRING	INPUT		OUTPUT				SHAFT ROTATION TO INCREASE VOLTAGE	TERMINAL CONNECTIONS			
	VOLTS	HERTZ	VOLTS	CONSTANT CURRENT LOAD	CONSTANT IMPEDANCE LOAD	FOR INCREASING VOLTAGE AS VIEWED FROM BASE END +		INPUT	JUMPER	OUTPUT	
SINGLE PHASE	120	50/60	0-120	25	3.00	30	3.6	CW	2-4	---	4-3
			0-140	25	3.50	---	---	CCW	2-4	---	2-3
								CW	1-4	---	4-3
								CCW	2-5	---	2-3

UNLESS OTHERWISE SPECIFIED, TOLERANCE IS ± DECIMALS .XX .010 .005 HOLES .002 ANGLES 1° DRAFT 1-1/2° UNITS IN [mm] TITLE: SPEC. CONTROL DRAWING VARIABLE TRANSFORMER TYPE: M2510C

MATERIAL: ALL DIMENSIONS APPLY AFTER PLATING

DRAWN BY: TIM RAU DATE: 4/7/97 FIRST USED ON: DO NOT SCALE DWG. CAGE CODE: 83008

CHECKER: DATE: WEIGHT APPROX. SCALE: .5=1 SHEET 1 OF 1 DWG. NO. 031-5110

ENGINEER: DATE: SCALE: SHEET 1 OF 1 DWG. NO. 031-5110

STACO ENERGY PRODUCTS CO.
A Components Corporation of Ameresco Company
302 Gadsden Boulevard Dayton, Ohio 45403 USA